



# **GO** REGULATOR

## **HPR-2XW Series**

### **Steam Heated Pressure Regulators**

The HPR-2XW Series heated pressure regulator is designed to supply heat to samples entering instrumentation systems. It can be used to preheat liquids, to prevent condensation of gases or to vaporize liquids prior to gas analysis.

The modular design of the HPR-2XW consists of heat exchanger and pressure control sections. The pressure control section is patterned after the time proven design of the PR-1 pressure reducing regulator and provides the same excellent outlet pressure stability. The heat exchanger section is made up of a body and heat exchange element. The heat exchange element uses GO Regulator's unique spiral wrapped screen as the heat exchange surface. This screen has up to 100 square inches of heat transfer area and careful design forces all sample flow to pass through the element.

Completing this modular design is the incorporation of a removable heat exchange unit. This allows the user to remove and clean or replace the exchanger. This is especially useful when heating dirty liquids or liquids that polymerize and clog the heat exchange screen.

### **Features & Specifications**

- 316L stainless steel construction
- Optional Hastelloy C and Monel
- Electropolished body with better than 25 Ra finish in diaphragm cavity
- Steam temperatures up to 550° F (285° C)
- Bubble tight shutoff
- Outlet pressures 0–10, 0–25, 0–50, 0–100, 0–250 and 0–500 psig
- Modular pressure control and heat exchanger assemblies for easy maintenance
- Unique spiral wrapped heat exchange element provides up to 100 square inches of heat transfer area
- Inlet pressure up to 6000 psig at 380° F (193° C)
- $C_v$  flow coefficients of 0.06, 0.025, 0.2
- Standard inlet connection 1/8" FNPT
- Outlet connection 1/4" FNPT

405 Centura Court  
PO Box 4866  
Spartanburg, SC 29303  
tel 864.574.7966  
fax 864.587.5608  
[www.goreg.com](http://www.goreg.com)  
[sales@goreg.com](mailto:sales@goreg.com)

# HPR2-XW Steam Heated Pressure Regulators

## How to Order

See page 3 for standard configurations. Consult factory for additional configurations. Port locations see pages 4 and 5.

## Maximum Temperature & Operating Inlet Pressures

**HPR-2XW Steam 2 Piece Assembly**  
(Heater Block and Regulator Body Separate)

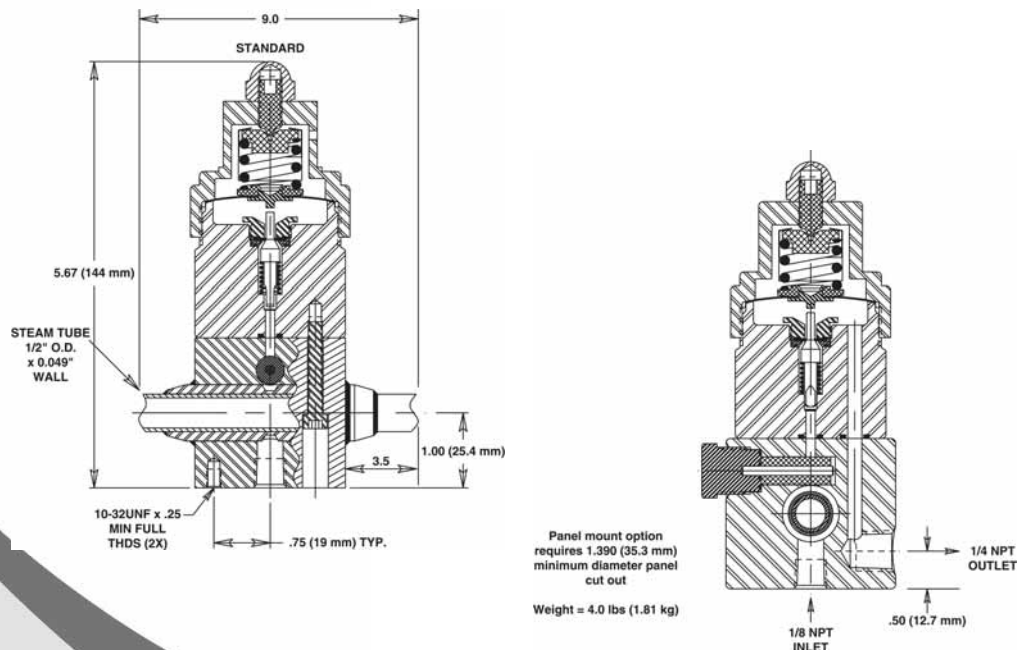
Seat Material	Maximum Temperature	@	Maximum Operating Inlet Pressure
Tefzel®	Up to 175° F (80° C)	@	3600 psig (24.82 MPa)
	176° F to 300° F (80° C to 148° C)	@	1000 psig (6.90 MPa)
	301° F to 380° F (148° C to 193° C)	@	400 psig (2.76 MPa)
High Density Teflon®	Up to 175° F (80° C)	@	3600 psig (24.82 MPa)
	176° F to 300° F (80° C to 148° C)	@	1000 psig (6.90 MPa)
	301° F to 380° F (148° C to 193° C)	@	400 psig (2.76 MPa)
PCTFE (formerly Kel-F81)	Up to 380° F (193° C)	@	3600 psig (24.82 MPa)
Polyimide	Up to 380° F (193° C)	@	3600 psig (24.82 MPa)
PEEK	Up to 380° F (193° C)	@	3600 psig (24.82 MPa)

**HPR-2XW Steam 1 Piece Assembly**  
(Integral Heater Block and Regulator)

Seat Material	Maximum Temperature	@	Maximum Operating Inlet Pressure
Tefzel®	Up to 175° F (80° C)	@	3600 psig (24.82 MPa)
	176° F to 300° F (80° C to 148° C)	@	1000 psig (6.90 MPa)
	301° F to 380° F (148° C to 193° C)	@	400 psig (2.76 MPa)
High Density Teflon®	Up to 175° F (80° C)	@	3600 psig (24.82 MPa)
	176° F to 300° F (80° C to 148° C)	@	1000 psig (6.90 MPa)
	301° F to 380° F (148° C to 193° C)	@	400 psig (2.76 MPa)
PCTFE (formerly Kel-F81)	Up to 380° F (193° C)	@	3600 psig (24.82 MPa)
Polyimide	Up to 380° F (193° C)	@	6000 psig (41.37 MPa)
PEEK	Up to 380° F (193° C)	@	6000 psig (41.37 MPa)

Tefzel® and Teflon® are registered trademarks of Dupont.

## Outline and Mounting Dimensions



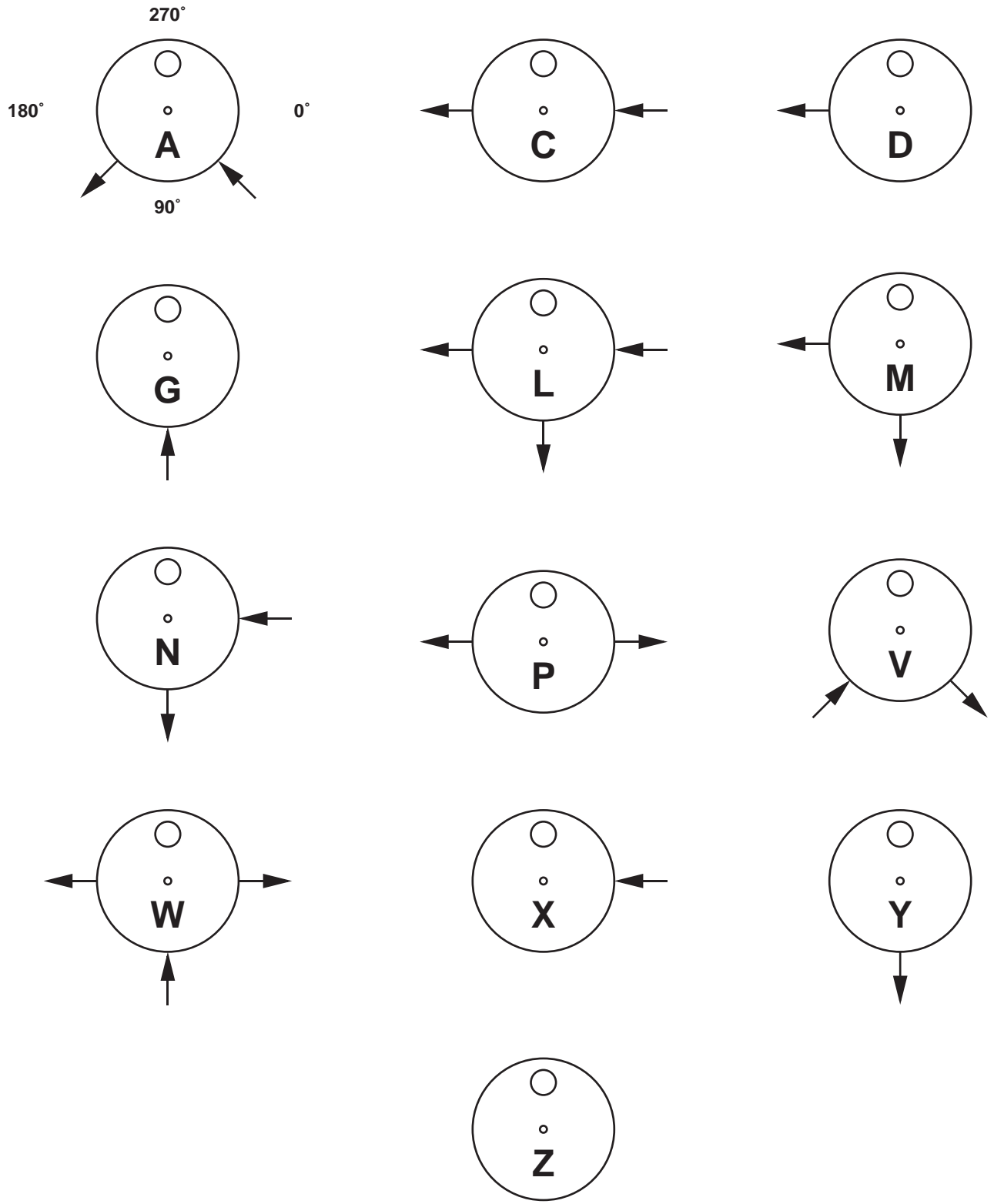
# HPR-2XW Steam Heated Vaporizing Regulators

<b>Material of Body</b>	
1	SS 316L
4	Monel
<b>Port Configuration (page 4)</b> STANDARD BODY "Z" (ONE INLET PORT AND ONE OUTLET PORT)	
Z	
<b>Temperature Range/Heating Type</b>	
5	Steam
<b>Heater Wattage</b>	
5	Steam
<b>Seat Material</b>	
A	Tefzel
B	CF Teflon
C	Polyimide
H	PCTFE (formerly Kel-F 81)
Q	PEEK
<b>Flow Coefficient (Cv)</b>	
3	0.06
<b>Output Range</b>	
C	0 - 10 Psig
D	0 - 25 Psig
E	0 - 50 Psig
G	0 - 100 Psig
I	0 - 250 Psig
J	0 - 500 Psig
<b>Heater Block Type</b>	
2	Steam, HPR-2XW
<b>Heater Block Porting (page 36)</b>	
1	Standard Block
2	Extra Outlet Block
<b>Cap Assembly</b>	
1	Tamper Proof, Standard, S.S.
<b>Other Options (Can be left blank)</b>	
4	6000 Psig inlet Steam Heated (1pc assembly)

H 2 -

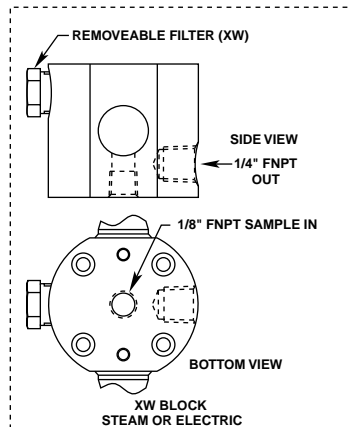
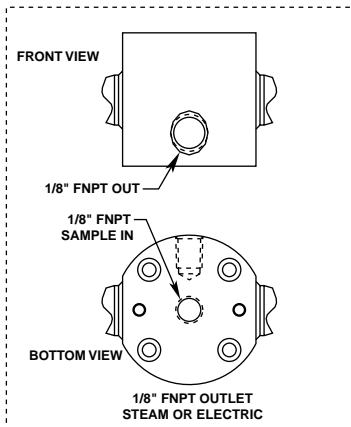
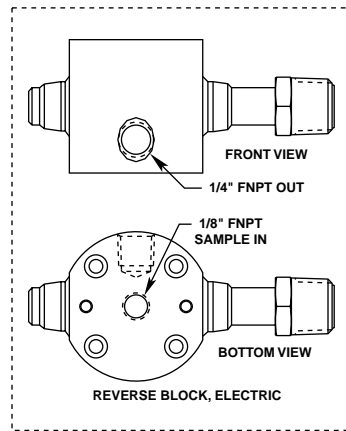
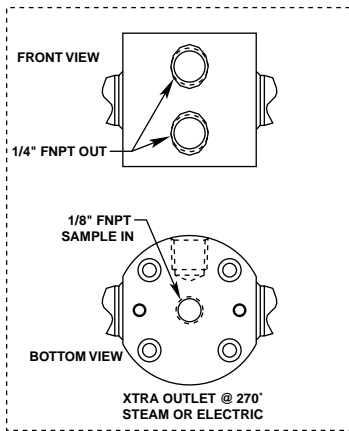
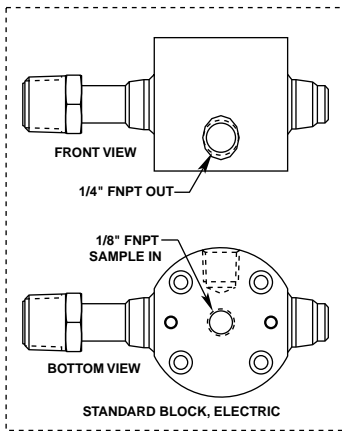
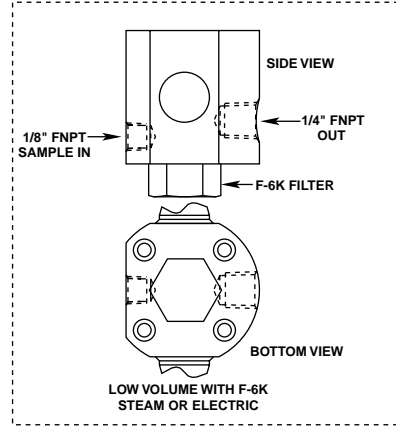
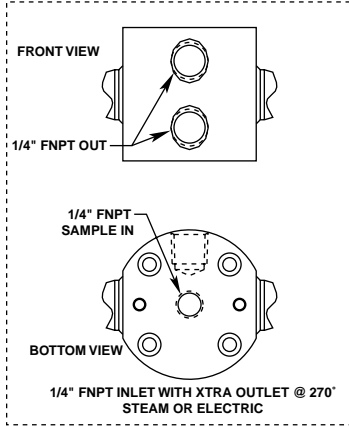
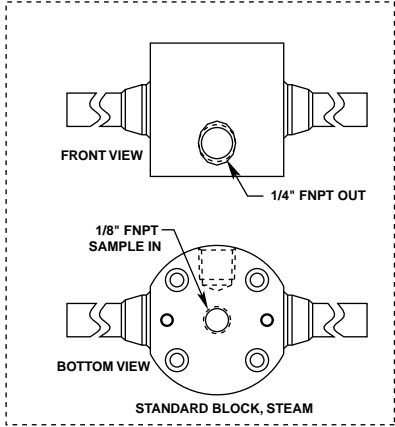
Material	Port Config.	Temp Range	Heater Wattage	Seat Material	Flow (Cv)	Output Range	Heater Block Type	Htr Block Porting	Cap Assembly	Other Options	

# REGULATOR BODY PORTING CONFIGURATIONS FOR HPR-2 (STEAM & ELECTRIC) & HPR-2XW (STEAM & ELECTRIC)



LOCATION OF PORTS FROM TOP VIEW  
ARROW POINTING TOWARD BODY IS INLET  
ARROW POINTING AWAY FROM BODY IS OUTLET

# HEATER BLOCK CONFIGURATIONS FOR HPR-2 (STEAM & ELECTRIC) & HPR-2XW (STEAM & ELECTRIC)



# HEATER BLOCK CONFIGURATIONS FOR HPR-2 (STEAM & ELECTRIC) & HPR-2XW (STEAM & ELECTRIC) (CONTINUED)

