

# **GO** REGULATOR

## **F-6K Line Filter**



The F-6K filter has been designed with bar stock construction to provide reliable and economical filtration of streams having pressures up to 6000 psig at 70° F (20° C).

Materials of construction are 316 Stainless Steel and Teflon® for maximum service capability at economical prices. If a greater level of corrosion protection is required, this unit can be made from Monel or Hastelloy. The sintered 316 Stainless Steel filter element, with filtration ranges between 2 and 55 microns, can be easily changed without removing the filter from the line. Standard connections are 1/4 FNPT. The optional bypass port is standard as 1/8 FNPT.

### **Features & Specifications**

- 2 to 55 Micron Filtration
- Available with Optional Bypass

405 Centura Court  
PO Box 4866  
Spartanburg, SC 29303  
tel 864.574.7966  
fax 864.587.5608  
www.goreg.com  
sales@goreg.com

# F-6K Line Filter

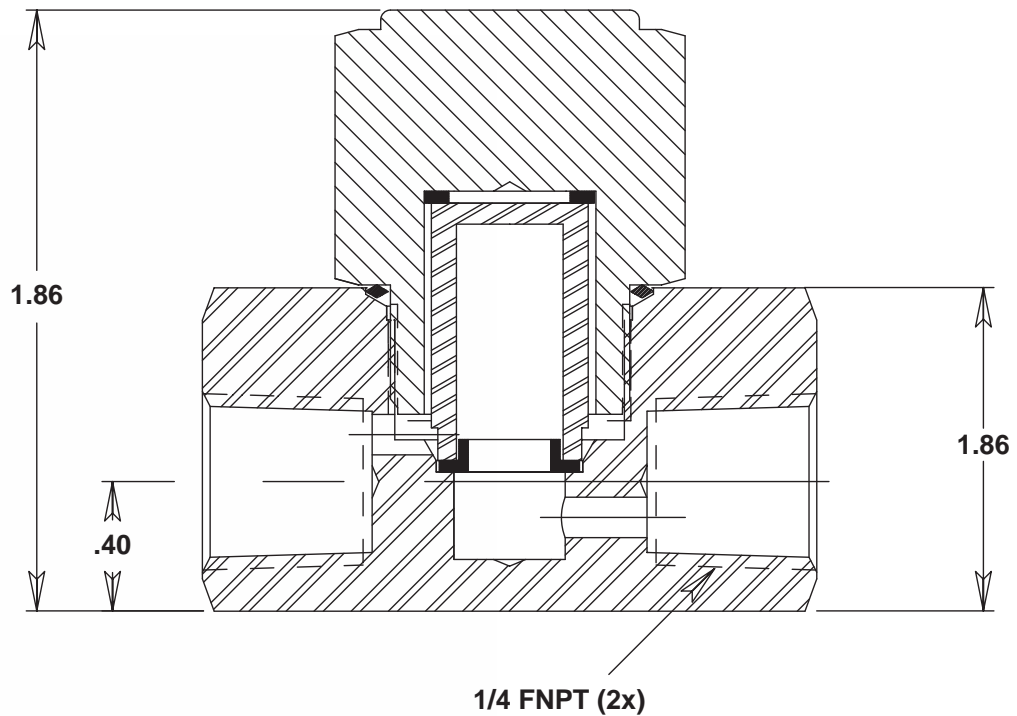
How to Order—See page 3 for ordering matrix.

## Maximum Temperature & Operating Inlet Pressures

Seat Material	Maximum Temperature	@	Maximum Operating Inlet Pressure
Viton®	70° F (20° C)	@	6000 psiG (41.37 MPa)
	175° F (80° C)	@	3600 psiG (24.82 MPa)
Teflon®	70° F (20° C)	@	6000 psiG (41.37 MPa)
	150° F (66° C)	@	3600 psiG (24.82 MPa)

Viton® and Teflon® are registered trademarks of Dupont.

## Outline and Mounting Dimensions



Weight = 0.6 lbs (0.27 kg)

FILTER STYLE & MATERIAL	
101700	Inline, Stainless Steel, 1/4" FNPT Connections
101830	1/8" NPT Bypass, Stainless Steel, 1/4" FNPT Connections
101850	1/4" FNPT Bypass, Stainless Steel, 1/4" FNPT Connections
102980	Inline, Monel, 1/4" FNPT Connections
102981	1/8" FNPT, Bypass, Monel, 1/4" FNPT Connections
102982	1/4" FNPT Bypass, Monel, 1/4" FNPT Connections
107476	Inline, Stainless Steel, 1/4" MNPT Outlet, 1/4" FNPT Inlet
107519	1/8" Bypass, Stainless Steel, 1/4" MNPT Outlet, 1/4" FNPT Inlet
107518	1/4" Bypass, Stainless Steel, 1/4" MNPT Outlet, 1/4" FNPT Inlet

FILTER RATING	
1	2-5 Micron
2	5-9 Micron
3	10-15 Micron
4	20-30 Micron
5	40-55 Micron
6	100 Mesh
7	150 Mesh

O-RING MATERIAL	
1	Teflon®
2	Viton®

VOLUME	
1	Standard
2	Low Volume

F6K --



Filter Style & Material

Filter Rating

O-Ring Material

Volume