



GO REGULATOR

CYL-3 Series High Pressure Economy Brass Cylinder Regulator

The CYL-3 Series is an economical brass high-pressure regulator, designed to accept inlet pressures up to 3600 psig and deliver outlet pressures from 0–100 psig up to 0–2000 psig. This single-stage brass regulator is perfectly suited for cylinder usage with non-corrosive gases. Good regulation characteristics are provided by a carefully engineered piston sensor. Ease of outlet pressure adjustment is provided by the T-handle, which is offered as standard.

Features & Specifications

- Inlet pressures up to 3,600 psig
- Control pressures from 0–100 psig up to 0–2000 psig
- Brass (alloy 360) construction
- Stainless steel poppet
- 20 micron inlet filter
- Bubble tight shutoff
- CGA connection with integral inlet filter
- 2-inch diameter brass gauges
- C_v flow coefficients 0.06 (standard), 0.2 (optional)
- Better than 25 Ra finish in diaphragm cavity
- Optional relief valves and outlet shut off valves

405 Centura Court
PO Box 4866
Spartanburg, SC 29303
tel 864.574.7966
fax 864.587.5608
www.goreg.com
sales@goreg.com

CYL-3 Series

High Pressure Economy Cylinder Regulator

How to Order

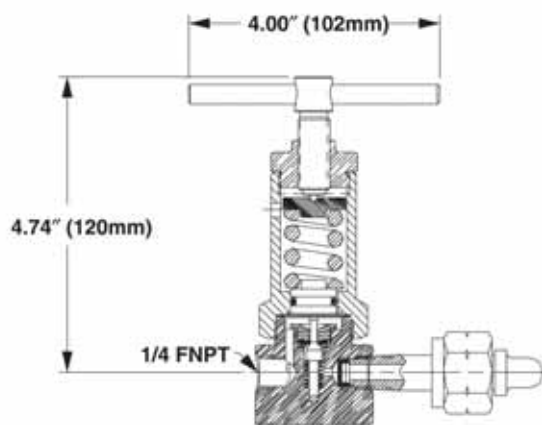
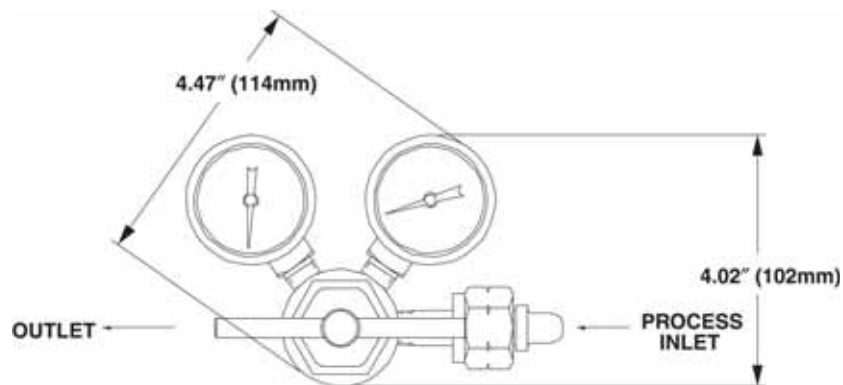
See page 3 for standard configurations. For additional configurations, consult the factory.
See page 4 for port locations.

Maximum Temperature & Operating Inlet Pressures

Seat Material	Maximum Temperature	@	Maximum Operating Inlet Pressure
Tefzel®	150° F (66° C)	@	3600 psig (24.82 MPa)
High Density Teflon®	150° F (66° C)	@	3600 psig (24.82 MPa)

Tefzel® and Teflon® are registered trademarks of Dupont.

Outline and Mounting Dimensions



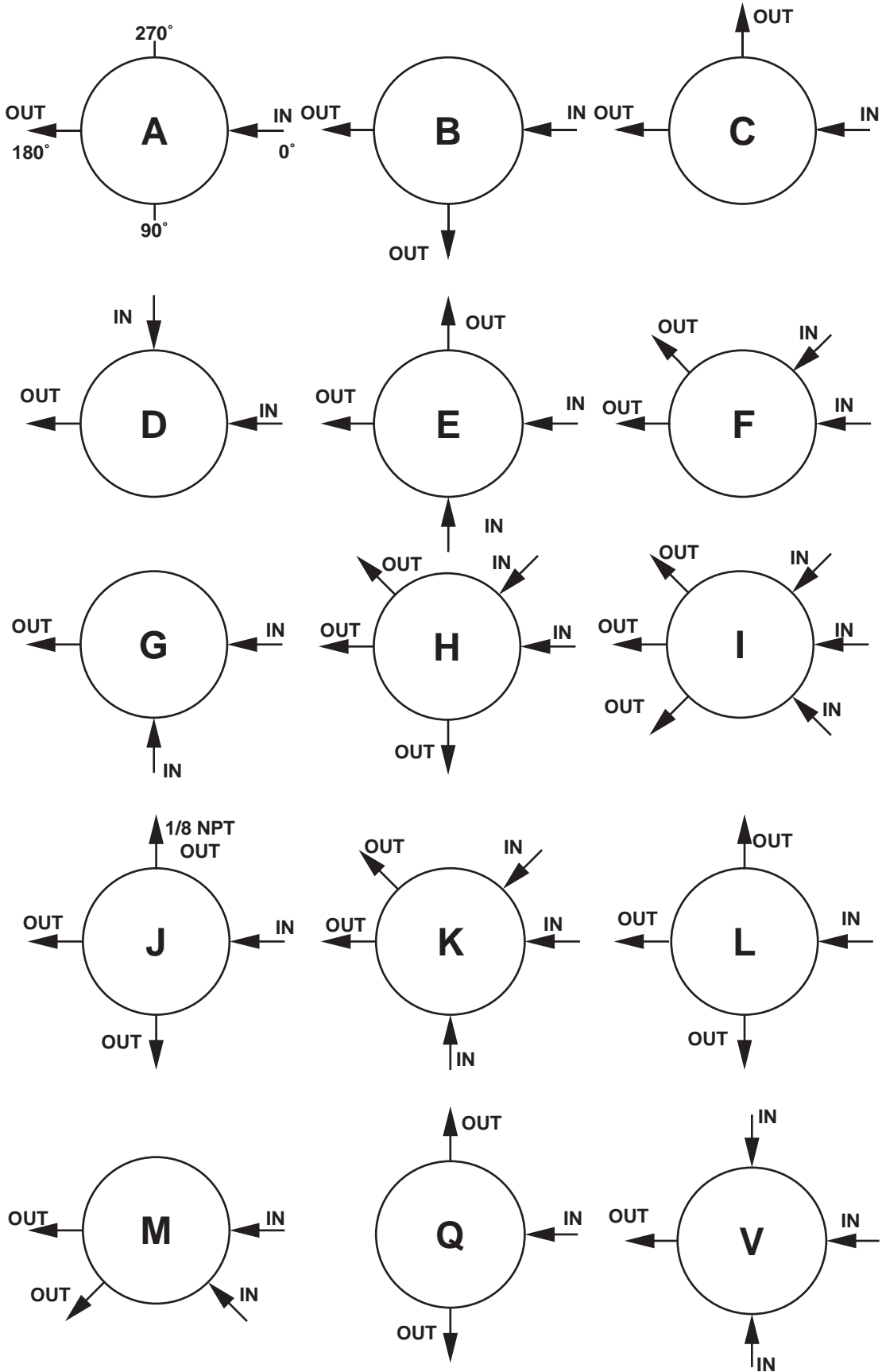
Weight - 2.7 lbs (1.22 kg)

For flow curve charts, go to www.goreg.com/catalog/pr/cyl/cyl3/cyl3_flow.htm.

CYL-3 Series - Pressure Reducing Regulators

2		Material of Body										
Brass												
F		Port Configuration (see page 4)										
STANDARD BODY "F" (TWO INLET PORTS AND TWO OUTLET PORTS)												
1		Process port types (gauge port type, if specified)										
1/4" FNPT (1/4" FNPT Gauge ports)												
0		1/8" FNPT (1/8" FNPT Gauge ports)										
G		Output Range										
0 - 100 Psig												
I		0 - 250 Psig										
J		0 - 500 Psig										
K		0 - 1000 Psig										
L		0 - 2000 Psig										
1		Piston Type										
Non Self Relieving												
3		Self Relieving										
3		Flow Coefficient (Cv)										
0.06												
5		0.2										
A		Seat Material										
Tefzel												
I		Teflon										
1		Cap Assembly										
Standard												
4		Panel Mount										
8		Tamper Proof										
A		Low Torque										
Y		Hand Knob										
CGA Fitting												
Use 0 in all boxes to omit CGA.												
Use "CUS" in boxes for customer supplied CGA.												
1		Gauges										
Include Gauges												
2		Omit Gauges										
3		Customer Supplied										
C	3	-										
Material	Port Config.	Port Style	Output Range	Piston Type	Flow Coefficient (Cv)	Seat Material	Cap Assembly	C	G	A	Gauges	

PORT LOCATIONS (CYLINDER REGULATORS)



LOCATION OF PORTS FROM TOP VIEW