

GO REGULATOR



CBP-3 Series Compact Stainless Steel Back Pressure Regulator

The CBP-3 Series is a compact back pressure regulator with some of the time proven features of the BP-3 Series and some new features evolving the compact size. This regulator is designed to allow the construction of compact sophisticated analytical instrumentation where the optimum in back pressure control is required. Standard features allow service in many varied applications including corrosive fluids and with the optional features available, the user can tailor this regulator to virtually any application requiring small to moderate flow rates.

Features & Specifications

- Gas or liquid service
- 316L stainless steel construction
- Bubble tight shutoff
- Compact size
- Adjustable outlet pressure ranges of 0–10, 0–25, 0–50, 0–100, 0–250 & 0–500 psig
- C_v flow coefficient 0.2
- Tefzel®, or Kalrez® in flow stream
- Operating temperatures of -40° F (-40° C) to +500° F (+260° C)
- Inlet/outlet connections 1/8" FNPT

Options

- Various C_v available—0.03, 0.05, 0.06, 0.12, 0.24, 0.3, 0.095, 0.025, 0.04, 0.005, 0.01
- Panel mount (requires a 1 3/8" mounting hole)
- Extra ports
- Special welded connections
- Pressure gauges

405 Centura Court
PO Box 4866
Spartanburg, SC 29303
tel 864.574.7966
fax 864.587.5608
www.goreg.com
sales@goreg.com

CBP-3 Series

Compact Stainless Steel Back Pressure Regulator

How to Order

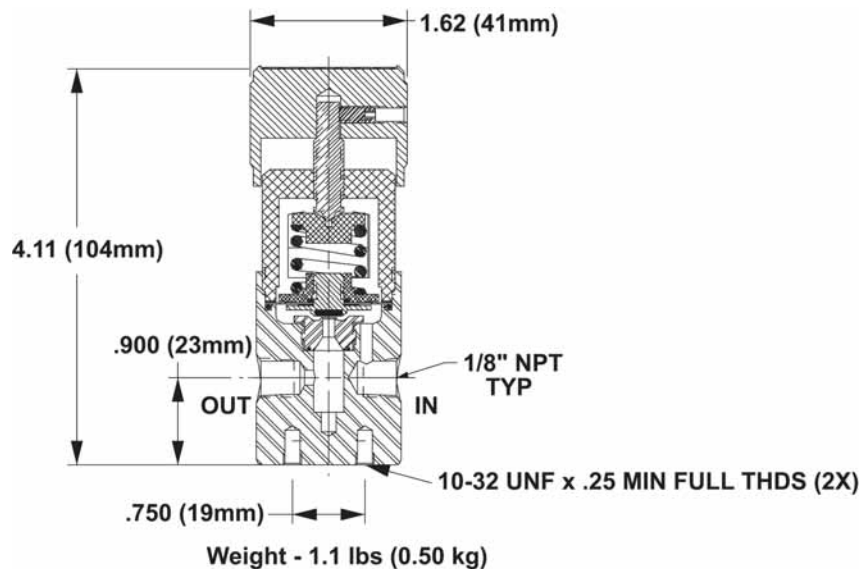
See page 3 for standard configurations. For additional configurations, consult the factory.
See page 4 for port locations.

Maximum Temperature and Control Pressures

Seat Material	Maximum Temperature	@	Maximum Control Range
Viton®	250° F (121° C)	@	250 psig (1.72 MPa)
Kalrez®	300° F (148° C)	@	250 psig (1.72 MPa)
Tefzel®	175° F (80° C)	@	500 psig (3.44 MPa)
Polyimide	500° F (260° C)	@	500 psig (3.44 MPa)

Viton®, Kalrez® and Tefzel® are registered trademarks of Dupont.

Outline and Mounting Dimensions



For flow curve charts, go to http://www.goreg.com/catalog/pr/back/cbp3/cbp3_flow.htm.

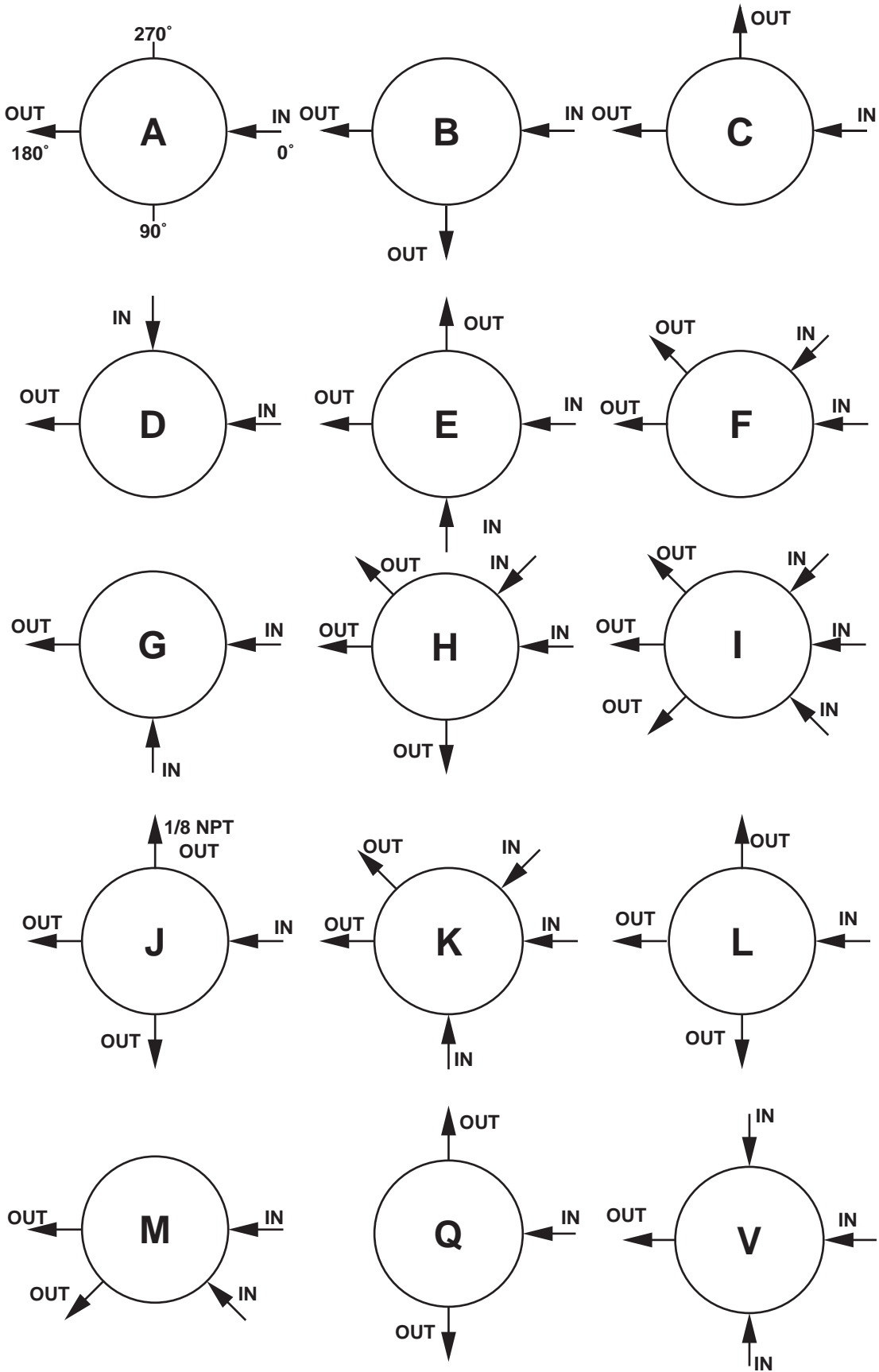
3 CBP-3 Series - Back Pressure Regulator

1		SS 316L		Material of Body	
A				Port Configuration (page 3) STANDARD BODY "A" (ONE INLET PORT AND ONE OUTLET PORT)	
2		1/4" Tube (1/4" Tube Gauge Ports)		Process port types (gauge port type, if specified)	
0		1/8" FNPT (1/8" FNPT Gauge Port), Standard			
1		<25 Ra		Surface Finish of Diaphragm Cavity	
A		Tefzel		Actuator Material	
C		Polyimide			
D		Viton			
K		Kalrez			
5		0.2		Flow Coefficient (Cv)	
C		0 - 10 Psig		Control Range	
D		0 - 25 Psig			
E		0 - 50 Psig			
G		0 - 100 Psig			
I		0 - 250 Psig			
J		0 - 500 Psig			
1		Standard, Nylon Dia. Slip Ring (170° F Max. Temp.)		Diaphragm Type	
2		Standard, Polyimide Dia. Slip Ring (High Temp. Service)			
1		Tefzel Seal Ring / SS Backing / Teflon O-Ring		Dia. Facing / Backing / O-Ring Mat'l	
2		Tefzel Seal Ring / Inconel Backing / Teflon O-Ring			
3		Teflon Facing / Viton Backing / Viton O-Ring			
7		Tefzel Seal Ring / SS Backing / Viton O-Ring			
H		Tefzel Seal Ring / Inconel Backing / Viton O-Ring			
1		Standard, Aluminum		Cap Assembly	
4		Panel Mount, Aluminum			
8		Tamper Proof, Aluminum			
9		Fine Adjust, 1/2" Panel Mount, Aluminum			
0		Fine Adjust, 1 3/8" Panel Mount, Aluminum			
E		Tamper Proof, Panel Mount, Aluminum			

CBP 3 -

1			1							
Material	Port Config.	Port Style	Cavity Finish	Actuator Material	Flow (Cv)	Control Range	Diaphragm Type	Diaphragm / O-Ring Material	Cap Assembly	

PORT LOCATIONS (BACK PRESSURE REGULATORS)



LOCATION OF PORTS FROM TOP VIEW