

SV400 SERIES

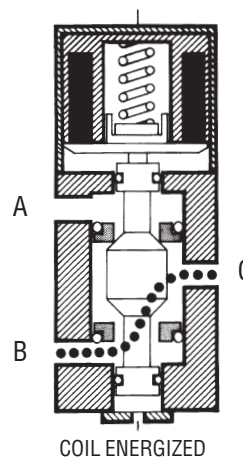
Vacuum to 6,000 PSIG

2 & 3 WAY LEAKPROOF SOLENOID VALVES FOR GAS OR FLUIDS

Features

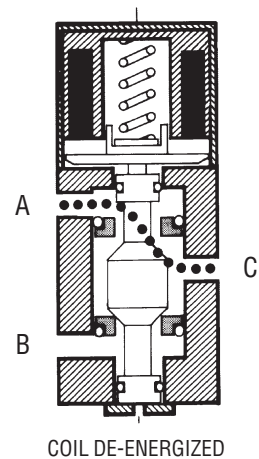
- Zero Leakage
- Bi-Directional Flow
- Versatile – 3-way 2-position, 2-way Normally Closed or 2-way Normally Open
- Balanced Poppet Design
- 303 Stainless Steel or Aluminum Construction
- Minimum Current Required
- Rapid Response
- Explosion Proof Per MIL-STD-810B
- Direct Acting, Continuous Duty Coil
- High Pressure – Vacuum to 6000 psig
- High Flow Capacity

How It Works



COIL ENERGIZED

THE ENERGIZED POSITION
With electrical energy applied to the coil, the poppet is pulled up against the normally open seat of the valve. In this condition, flow is allowed in either direction through Port B and Port C with Port A isolated.



COIL DE-ENERGIZED

THE DE-ENERGIZED POSITION
With the valve in a de-energized position, flow is allowed in either direction through Port A and C with Port B isolated.

Technical Data

Materials of Construction

Body – 303 Stainless Steel or Aluminum
Seat – Nylatron, Kel-F or Polyimide (Vespel)

Port Sizes and Connections

3/8" & 1/2" NPT or AND10050

Temperature Range

-65°F to +165°F; -54°C to +68°C
Based on O-Ring Material, See Page 2

Pressure Ratings

SV430 – Vacuum to 3000 PSIG (0 to 207 BAR)
SV460 – Vacuum to 6000 PSIG (0 to 414 BAR)

Flow Capacity

SV430 – $C_v = .80$
SV460 – $C_v = .64$



A division of CIRCOR International, Inc.

Certified to ISO 9001

SV400 SERIES

Vacuum to 6,000 PSIG

How To Order

SV43 1 T 32P 8 P 4 3 M

<p>BASIC MODEL NUMBER</p> <p>SV43 - 3000 PSIG SV46 - 6000 PSIG</p> <p>NOMINAL COIL VOLTAGE</p> <p>1 - 24 VDC - 1.4 Amps. Max. @ 70°F 2 - 115 VAC - 0.3 Amps. Max. @ 70°F 3 - 220 VAC - 0.22 Amps. Max. @ 70°F 4 - 115 VDC - 0.39 Amps. Max. @ 70°F 5 - 12 VDC - 3.43 Amps. Max. @ 70°F</p> <p>BODY MATERIAL</p> <p>A - Aluminum Alloy B - Naval Brass T - 303 Stainless Steel</p> <p>VALVE TYPE</p> <p>2NO - 2 Way - Normally Open 2NC - 2 Way - Normally Closed 32P - 3 Way - 2 Position (Std.)</p> <p>PORT SIZE</p> <p>6 - 3/8" 8 - 1/2"</p>	<p>OPTIONS</p> <p>D - DIN 43650 Electrical E - 1/2" Pipe Thread & 24" Connector Leads** M - Manual Override* S - Electrical Position Indicator* C - CSA Approved Explosion Proof (SV431 & SV432 only)</p> <p>SEAT MATERIAL</p> <p>3 - Nylatron (Std.) 4 - Kel-F (Limited to 3000 psig) 9 - Polyimide (Vespel SP-21)</p> <p>SEAL MATERIAL</p> <p>0 - Ethylene Propylene 1 - Neoprene 3 - Viton® A 4 - Buna N (Std.) 7 - Fluorosilicone</p> <p>PORT TYPE</p> <p>P - Female Pipe B - Female Tube, AND 10050</p>
---	--

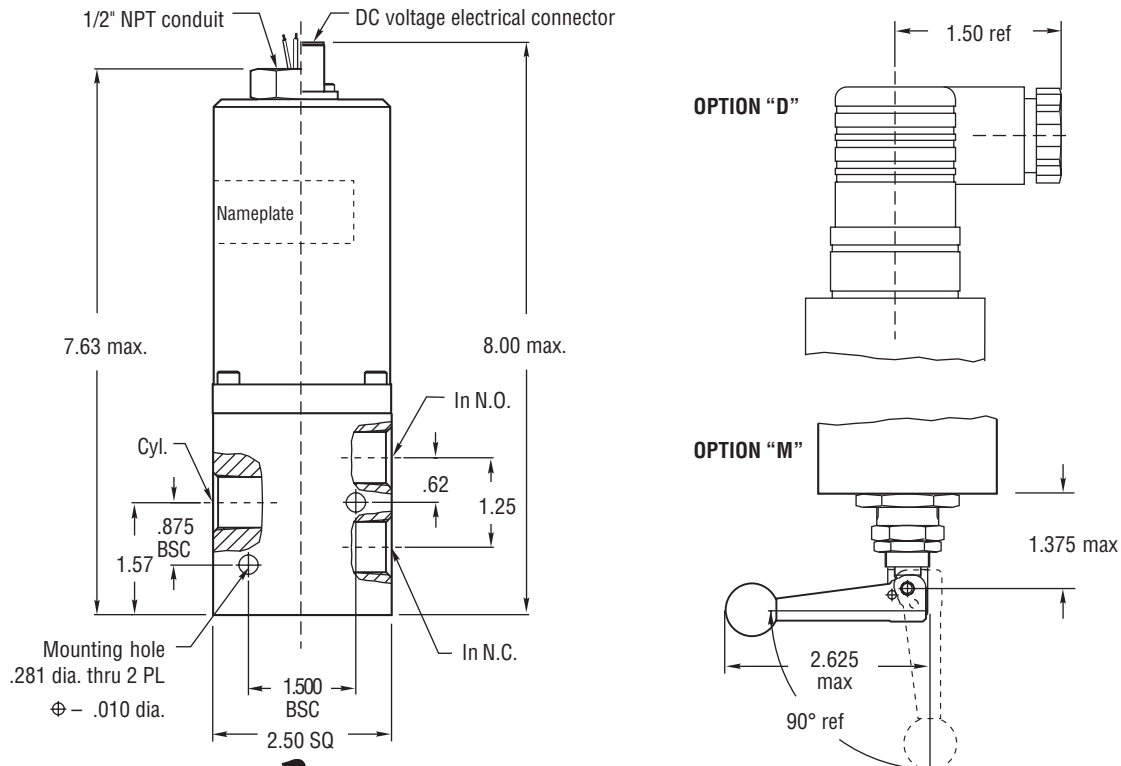
* Manual Override and Electrical Position Indicator are not available on the same valve.

** DC Valves have MS3102-R10SL-4P Electrical Connector. AC Valves have 24" Pigtails and 1/2" Conduit.

Viton® is a registered trademark of DuPont Dow Elastomers.

Please consult your Circle Seal Controls Distributor, Representative or the factory for information on special connections, operating pressures and temperature ranges.

Dimensions



CIRCLE SEAL CONTROLS, INC.

A division of CIRCOR International, Inc.

Certified to ISO 9001