

CIRCLE SEAL CONTROLS, INC.
 A division of CIRCOR International, Inc.

9500 Series 0 to 3,000 PSIG Shutoff Valves

Features

- Compact size, fast-acting
- Leak proof in vacuum or pressure service
- Positive position indication & handle stop
- Bleed hole in the plug vents the trapped fluids downstream
- No packing to adjust, o-ring seal to atmosphere
- Color coded handles

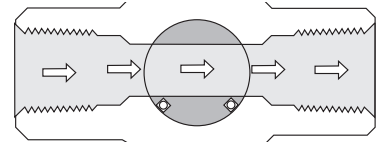
Technical Data

Body Construction Materials:	• Brass, 316 Stainless Steel
O-Ring Materials:	• Buna-N, Neoprene, Viton®
Operating Pressure:	• 3,000 PSIG (207 BAR)
Proof Pressure:	• 4500 PSIG (310 BAR)
Burst Pressure:	• 9000 PSIG (621 BAR)
Max. Reverse Pressure:	• 200 PSIG (14 BAR)
Leakage:	• Zero – internal and external

NOTE: Proper filtration is recommended to prevent damage to sealing surfaces.

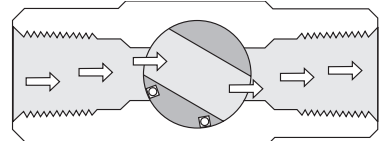
How It Works

OPEN



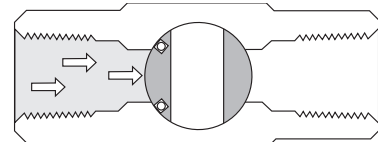
Specially machined lipped grooves on the cylindrical surface of the plug hold the flow-sealing o-ring in place. Flow passes through full-ported opening with no restriction or direction change.

CLOSING



Pressure depresses the flow-sealing o-ring so that it is not damaged or cut when passing the inlet port.

CLOSED



O-ring completely surrounds the port, sealing off the flow "bubble tight."

2301 Wardlow Circle, P.O. Box 3300
 Corona, California 92878
 tel 909.270.6200
 fax 909.270.6201
 www.circle-seal.com
 sales@circle-seal.com

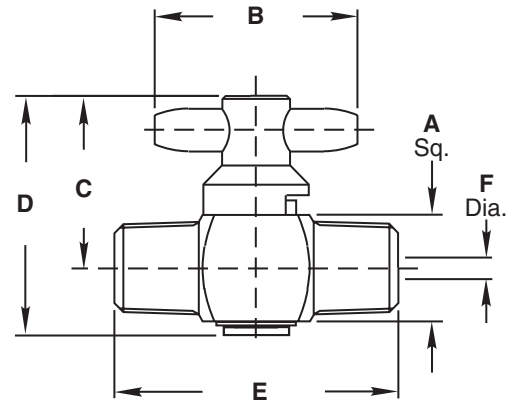
9500 Series

0 to 3,000 PSIG

Dimensions (inches)

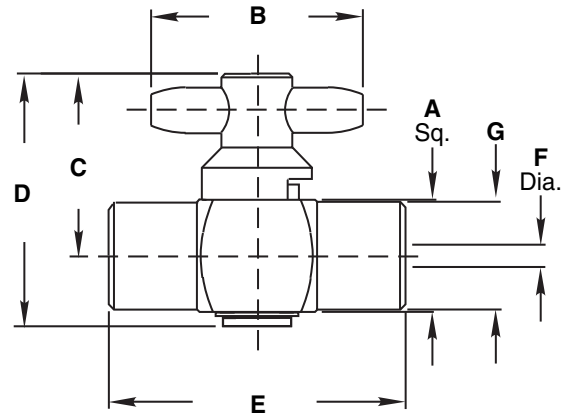
Male Pipe Dimensions

Dash #	Size	A	B	C	D	E	F
1MM	1/8"	.62	1.20	1.04	1.41	1.44	.125
2MM	1/4"	.62	1.20	1.04	1.41	1.68	.125



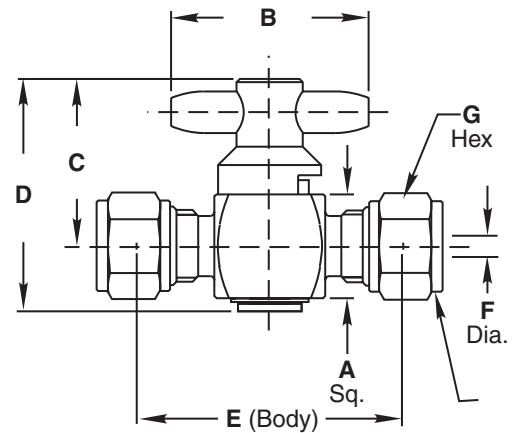
Female Pipe Dimensions

Dash #	Size	A	B	C	D	E	F	G
1PP	1/8"	.62	1.20	1.05	1.41	1.68	.125	0.60
2PP	1/4"	.75	1.40	1.20	1.61	1.87	.187	0.73



Tube Fitting Dimensions

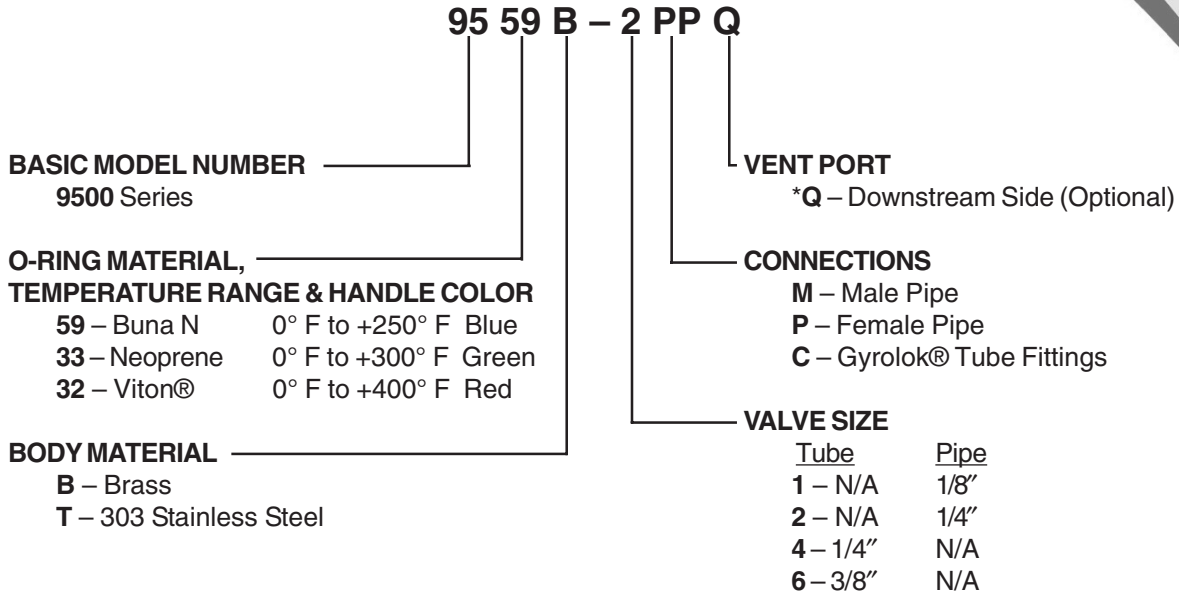
Dash #	Size	A	B	C	D	E	F	G
4CC	1/4"	.62	1.20	1.20	1.61	1.50	.125	.56
6CC	3/8"	.62	1.20	1.20	1.61	1.62	.125	.68



9500 Series

0 to 3,000 PSIG

How to Order



* A .040 dia. vent hole in the plug and body allows downstream pressure to vent to atmosphere when the valve is in the closed position. If another vent hole size is required specify the hole size desired in parenthesis after the Q in the part number [example: Q(118) equals a .118 dia. hole]. The o-ring blocks the bleed port when the valve is open. The maximum operating pressure with a bleed port is 200 psig.

**Operating torque at 500 PSIG: 10 in-lbs. Max for 1PP, 1MM, 2MM & 6CC
20 in-lbs. Max for 2PP

Notes:

Place the valve in line so that the flow arrow points in the direction of flow.

Viton® is a registered trademark of DuPont Dow Elastomers.

Gyrolok® is a registered trademark of Hoke, Inc.

Please consult your Circle Seal Controls Distributor or our factory for information on special connections, materials, larger sizes, o-rings, operating pressures and temperature ranges.

Repair Kits

In normal service the only part(s) which may require replacement is(are) the seal(s). A repair kit may be ordered by placing a K/ in front of the complete part number, (i.e. K/9559B-2PP).

For Your Safety

It is the sole responsibility of the system designer and user to select products suitable for their specific application requirements and to ensure proper installation, operation and maintenance of these products. Material compatibility product ratings and application details should be considered in the selection. Improper selection or use of products described herein can cause personal injury or property damage.