

Ball Valves

Subsea Series

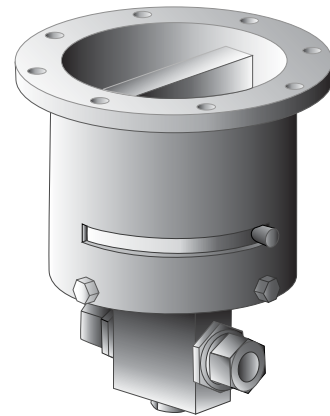
*Internal Pressures to 20,000 psi (1379 bar)
Water Depths to 12,500 ft (3810 meters)*

Autoclave Engineers subsea ball valves have been designed to fulfill the ever growing demand in the petroleum industry as well as the need for externally pressurized components in other markets. Utilizing the same design technology as the standard ball valve, the subsea design incorporates the necessary design alterations to provide a reliable externally pressurized valve for the subsea industry.

With the availability of fittings, tubing, and related equipment our ball valves can provide all your needs on high-pressure applications above or below the surface.

AE Ball Valve Features:

- One-piece, trunnion mounted style, stem design eliminates shear failure found in two-piece designs.
- Re-torqueable seat glands for longer seat life.
- PEEK seats which offer excellent resistance to chemicals, heat, and wear/abrasion.
- Full-port flow path minimizes pressure drop.
- 316 cold worked stainless steel construction.
- Low friction pressure assisted graphite filled Teflon stem seal increases cycle life.
- Wide selection of tube and pipe end fittings available.
- Available to NACE MR-01-75.
- Optional wetted materials.
- Adaptable for Remote Operated Vehicle (ROV) operation.
- Available in a number of flow configurations and port sizes.



Applications:

- Subsea hydraulic manifolds
- Subsea control panels
- Subsea trees

**Autoclave
Engineers** 

Fluid Components
Division of Snap-tite, Inc.
www.autoclaveengineers.com

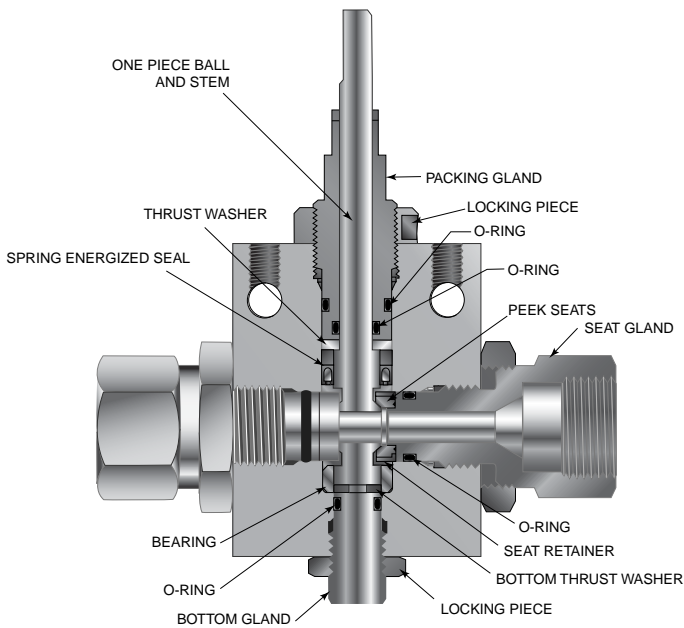
The Autoclave Engineers ball valves can be utilized to switch or isolate flow. The standard material of construction of the valve is 316 cold worked stainless steel with PEEK seats, graphite filled Teflon stem seal, and o-ring material as required by the process fluid.

The subsea ball valve design incorporates additional o-ring seals, which prevent the ingress of seawater into the valve which would adversely affect the operation of the valve as well as contaminate the process fluid. A significant feature of the subsea design is a thrust washer positioned under the stem preventing outside sea water from moving the stem from it's aligned position.



Subsea ball valves are designed to facilitate operation by a Remote Operated vehicle (ROV). Optional ROV operator assemblies are available for valve mounting and to provide positive stopping for precise 90° operation.

Various tube and pipe connections are available throughout a variety of valve configurations with standard port sizes from 3/16" to 1/2". Contact Autoclave Engineers technical sales support or your local distributor for more information on optional materials of construction, seal materials, and ROV operator designs to fit your application requirements.



Typical 2-way Subsea Ball Valve

! WARNING !

FAILURE OR IMPROPER SELECTION OR IMPROPER USE OF THE PRODUCTS AND/OR SYSTEMS DESCRIBED HEREIN OR RELATED ITEMS CAN CAUSE DEATH, PERSONAL INJURY AND/OR PROPERTY DAMAGE.

This document and other information from Snap-tite, Inc., its subsidiaries and authorized distributors, provides product and/or system options for further investigation by users having technical expertise. It is important that you analyze all aspects of your application and review the information concerning the product or system in the current product catalog. Due to the variety of operation conditions and applications for these products or systems, the user, through its own analysis and testing, is solely responsible for making the final selection of the products and systems and assuring that all performance, safety and warning requirements of the application are met.

The products described herein, including without limitation, product features, specifications, designs, availability and pricing, are subject to change by Snap-tite, Inc. and its subsidiaries at any time without notice.



Industrial Estate
Whitemill-Wexford
Republic of Ireland
PH: 353-53-41566 FAX: 353-53-41582
e-mail: ste_sales@snap-tite.com
www.snap-tite.com



Fluid Components
Division of Snap-tite, Inc.

8325 Hessinger Drive
Erie, Pennsylvania 16509-4679 USA
PH: 814-838-5700 FAX: 814-838-5811
e-mail: ae_sales@snap-tite.com
www.autoclaveengineers.com

**ISO-9001
Certified**

02-0108SE-0103