

# Custom Valves & Manifolds

---

Autoclave Engineer's offers special valves and manifolds designed to meet customer specific requirements.

The following pages provide a brief outline of our optional connections and valve styles. Other styles of connections are available such as flange, SAE, AE Easy-Union, or metric, upon request.

Manifolds are well suited for particular applications such as termination of common lines as a distribution source from a large line to several smaller ones. Autoclave manifolds are made to customer specifications and can be rated up to 100,000 psi (6895 bar). Manifolds can be supplied with any number and variety of connections, including our medium and high-pressure connections, NPT, SAE, BSPP, clamp-style, and others.

Both valves and manifolds are available in non-standard materials, and can be supplied with special testing, cleaning or other requirements.

Contact your local sales representative for availability and pricing of custom components.



**Autoclave  
Engineers** 

Fluid Components  
Division of Snap-tite, Inc.

[www.autoclaveengineers.com](http://www.autoclaveengineers.com)

Custom Valves & Manifolds

# Custom Valves & Manifolds - Custom Valves

Autoclave Engineers offers a product line of non-standard valves and fittings with alternate style connections.

## Military Style Connections

According to military standards

- MS16142
- MS33649
- MS33656

Up to 1" (25.4mm) in size.

## Tube or Pipe Socket Weld

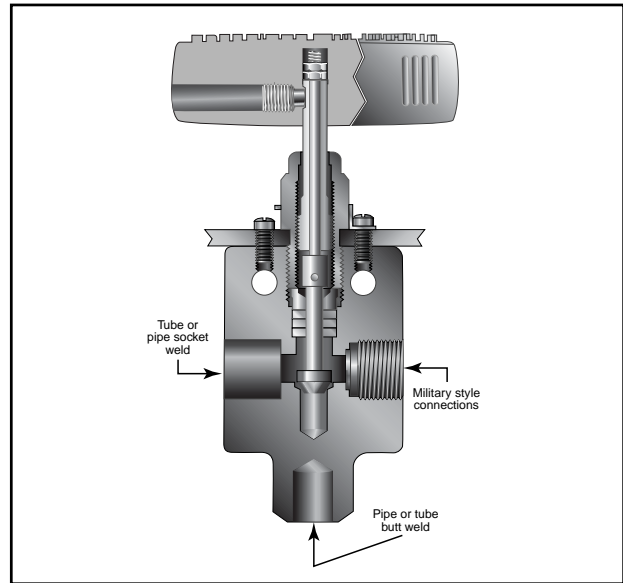
Weld connections up to 1" (25.4mm) in size.

## Tube or Pipe Butt Weld

Weld connections up to 1" (25.4mm) in size.

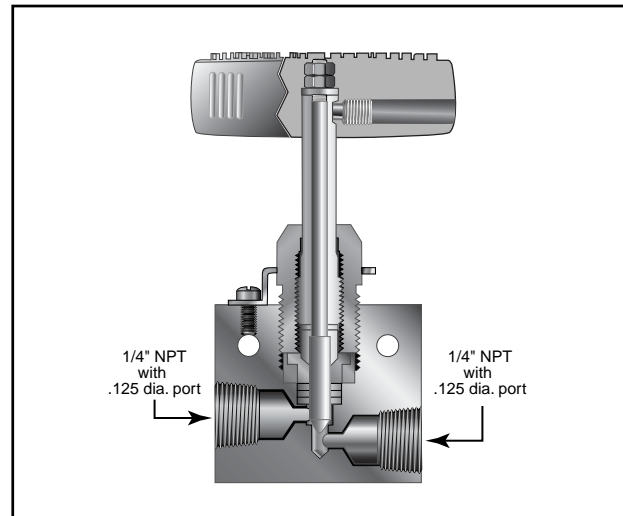
## British Standard Parallel Pipe Threads

The type and method of seal must be specified.



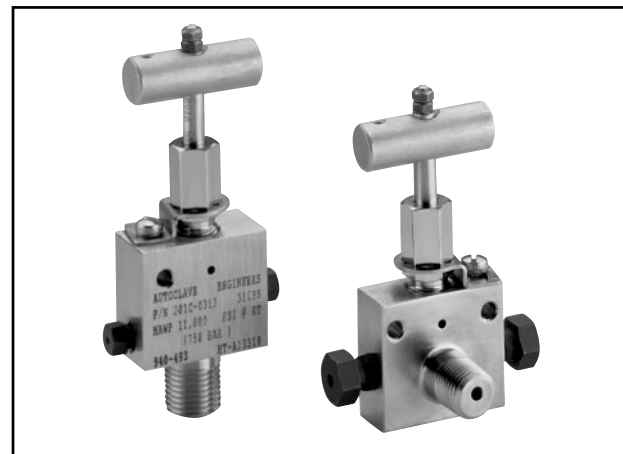
## NPT Valve

NPT style valves are available in various configurations as a non-standard product. Pressure ratings to 10,000 psi (690 bar) and connection sizes up to 1" (25.4 mm) can be furnished. Associated pipe fittings and components are available as required. Contact your local sales representative.



## Bottle Valve

Autoclave Engineers offers a product line of bottle valves for mounting directly to sample bottles/cylinders. Bottle style valves are available in various configurations and pressure ratings to 11,000 psi (758 bar). Connection sizes range from 1/8" (3.17mm) to 1" (25.4mm) in tube size or metric style threads. Consult factory.



# Custom Valves & Manifolds - Manifolds

## Metric, Special Material & Special Configuration Valves, Fittings & Tubing

Autoclave medium and high pressure valves and fittings are available in a variety of special materials and configurations to satisfy most process requirements. Please refer to the Valve Options section for types of materials available and ordering information.

Other custom valves available include large port valves for ammonia, urea and polyethylene production service, and Y style straight-thru valves designed to minimize pressure drop.

Contact your local sales representative to find out more about these custom products. See the metric section in this catalog for our complete line of metric valves, fitting and tubing line.



## Manifold Block

Specialty pressure manifolds minimize space requirements and reduce the installation time necessary to plumb a pressure system. In addition, by reducing the number of components used in a system, manifolds also reduce the number of potential leak joints. Autoclave Engineers will design and build pressure manifolds to meet specific installation, layout, and pressure requirements. These manifolds are capable of withstanding pressures from vacuum to 100,000 psi (6895 bar), and are available in a variety of materials and sizes. Among the pressure connections that can be incorporated are Autoclave low, medium and high pressure, NPT, SAE, BSPP and others. Transitions in system line sizes and tubing pressure can be accomplished through a specialty manifold. These manifolds are appropriate wherever pressure tubing systems are utilized.



## Clamp Style Manifolds

Autoclave Engineers will design and build manifolds with clamp-type metal to metal seats to meet customer specific applications. Manifolds can be designed with various sizes of clamp type closure are rated in accordance with the maximum rating of the clamp type closure or other connections, whichever is lower. A wide variation of connections can be supplied to meet required applications. These manifolds are used anywhere multiple ports are needed. They are often used on high pressure liquid nitrogen pumping systems or other gas/liquid handling systems requiring high flow capacities with dependable seal integrity.



All general terms and conditions of sale, including limitations of our liability, apply to all products and services sold.

**! WARNING !**

FAILURE OR IMPROPER SELECTION OR IMPROPER USE OF THE PRODUCTS AND/OR SYSTEMS DESCRIBED HEREIN OR RELATED ITEMS CAN CAUSE DEATH, PERSONAL INJURY AND/OR PROPERTY DAMAGE.

*This document and other information from Snap-tite, Inc., its subsidiaries and authorized distributors, provides product and/or system options for further investigation by users having technical expertise. It is important that you analyze all aspects of your application and review the information concerning the product or system in the current product catalog. Due to the variety of operation conditions and applications for these products or systems, the user, through its own analysis and testing, is solely responsible for making the final selection of the products and systems and assuring that all performance, safety and warning requirements of the application are met.*

*The products described herein, including without limitation, product features, specifications, designs, availability and pricing, are subject to change by Snap-tite, Inc. and its subsidiaries at any time without notice.*

**ISO-9001  
Certified**

02-0131SE- 0103



Industrial Estate  
Whitemill-Wexford  
Republic of Ireland  
PH: 353-53-41566 FAX: 353-53-41582  
e-mail: [ste\\_sales@snap-tite.com](mailto:ste_sales@snap-tite.com)  
[www.snap-tite.com](http://www.snap-tite.com)



Fluid Components  
Division of Snap-tite, Inc.  
8325 Hessinger Drive  
Erie, Pennsylvania 16509-4679 USA  
PH: 814-838-5700 FAX: 814-838-5811  
e-mail: [ae\\_sales@snap-tite.com](mailto:ae_sales@snap-tite.com)  
[www.autoclaveengineers.com](http://www.autoclaveengineers.com)