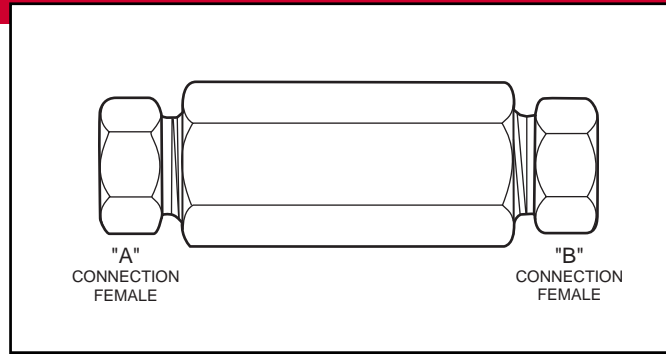


Adapters/Couplings - Couplings

The couplings shown here permit the joining of any combination of standard size tubing or tubing and standard pipe with female-to-female couplings. Other couplings available on special order.

Pressure Rating - The pressure rating of Autoclave couplings is based on the lower rated connection used.



Note: Special material couplings may be supplied with four flats in place of standard hex.

How to use the Ordering Chart below:

1. Locate "A" connection in the vertical column.
2. Locate the desired "B" connection across the top of the chart.
3. The catalog number of the required coupling is located at the intersection of the two columns.

| "A" Connection | | | | "B" Connection | | | | | | | | | | | | | | | |
|----------------------------|----------------|---------------------|-----------------|----------------|------------|------------|------------|-----------------|---------------|----------------|---------------|--------------|----------------|-------------|-------------|--------------|----------------|-----------------|-----------|
| | | | | SpeedBite | | | | Medium Pressure | | | | | High Pressure | | | | | | |
| Tube Outside in (mm) | Connector Type | Pressure psi (bar)* | | 1/8 W 125 | 1/4 SW 250 | 3/8 SW 375 | 1/2 SW 500 | 1/4 SF 250 CX | 3/8 SF 375 CX | 9/16 SF 562 CX | 3/4 SF 750 CX | 1 SF 1000 CX | 1 SF 1000 CX43 | 1/4 F 250 C | 3/8 F 375 C | 9/16 F 562 C | 9/16 F 562 C40 | 5/16 F 312 C150 | |
| SpeedBite | 1/8 (3.18) | W125 | 11,000 (758) | 15F 2211 | 6F 2412 | 6F 2612 | 4F 2812 | 15F 2416 | 15F 2616 | 15F 2916 | | | | 15F 2413 | 15F 2613 | 15F 2913 | | | |
| | 1/4 (6.35) | SW250 | 11,500 (793) | | 6F 4422 | 6F 4622 | 4F 4822 | 6F 4426 | 6F 4626 | 6F 4926 | | | | 6F 4423 | 6F 4623 | 6F 4923 | | | |
| | 3/8 (9.52) | SW375 | 10,000 (690) | | | 6F 6622 | 4F 6822 | 6F 6426 | 6F 6626 | 6F 6926 | 6F 61226 | 6F 61626 | | 6F 6423 | 6F 6623 | 6F 6923 | | | |
| | 1/2 (12.70) | SW500 | 5,500 (3.79) | | | | 4F 8822 | 4F 8426 | 4F 8626 | 4F 8926 | 4F 81226 | 4F 81626 | | 4F 8423 | 4F 8623 | 4F 8923 | | | |
| Medium Pressure | 1/4 (6.35) | SF250 CX | 20,000 (1379) | | | | | 20FX 4466 | 20F 4666 | 20F 4966 | 20F 41266 | 20F 41666 | 43FX 41663 | 20F 4463 | 20F 4663 | 20F 4963 | | 20F 4563 | |
| | 3/8 (9.52) | SF375 CX | 20,000 (1379) | | | | | | 20FX 6666 | 20F 6966 | 20F 61266 | 20F 61666 | 43FX 61663 | 20F 6463 | 20F 6663 | 20F 6963 | | 20F 6563 | |
| | 9/16 (14.27) | SF562 CX | 20,000 (1379) | | | | | | | 20FX 9966 | 20F 91266 | 20F 91666 | | 20F 9463 | 20F 9663 | 20F 9963 | | 20F 9563 | |
| | 3/4 (19.05) | SF750 CX | 20,000 (1379) | | | | | | | | 20FX 12 | 20F 121666 | | 20F 12463 | 20F 12663 | 20F 12963 | | 20F 12563 | |
| | 1 (25.40) | SF1000 CX | 20,000 (1379) | | | | | | | | | 20FX 16 | | 20F 16463 | 20F 16663 | 20F 16963 | | 20F 16563 | |
| High Pressure | 1 (25.40) | SF1000 CX43 | 43,000 (2965) | | | | | | | | | | 43FX 16 | | | | | | |
| | 1/4 (6.35) | F250 C | 60,000 (4137) | | | | | | | | | | 43FX 41633 | 60F 4433 | 60F 4633 | 60F 4933 | | 60F 4533 | |
| | 3/8 (9.52) | F375 C | 60,000 (4137) | | | | | | | | | | 43FX 61633 | | 60F 6633 | 60F 6933 | | 60F 6533 | |
| | 9/16 (14.27) | F562 C | 60,000 (4137) | | | | | | | | | | 43FX 91633 | | | 60F 9933 | | 60F 9533 | |
| | 9/16 (14.27) | F562 C40 | 40,000 (2760) | | | | | | | | | | | | | | | 40F 9933 | |
| | 5/16 (7.92) | F312 C150 | 150,000 (10342) | | | | | | | | | | | | | | | | 150F 5533 |
| National Pipe Thread (NPT) | 1/8 (3.18) | NPT | 10,000 (690) | 6F 2281 | 6F 2482 | 6F 2682 | 4F 2882 | 6F 2486 | 6F 2686 | 6F 2986 | 6F 21286 | | | 6F 2483 | 6F 2683 | 6F 2983 | | 6F 2583 | |
| | 1/4 (6.35) | NPT | 10,000 (690) | 6F 4281 | 6F 4482 | 6F 4682 | 4F 4882 | 6F 4486 | 6F 4686 | 6F 4986 | 6F 41286 | 6F 41686 | | 6F 4483 | 6F 4683 | 6F 4983 | | 6F 4583 | |
| | 3/8 (9.52) | NPT | 10,000 (690) | 6F 6281 | 6F 6482 | 6F 6682 | 4F 6882 | 6F 6486 | 6F 6686 | 6F 6986 | 6F 61286 | 6F 61686 | | 6F 6483 | 6F 6683 | 6F 6983 | | 6F 6583 | |
| | 1/2 (12.70) | NPT | 10,000 (690) | 6F 8281 | 6F 8482 | 6F 8682 | 4F 8882 | 6F 8486 | 6F 8686 | 6F 8986 | 6F 81286 | 6F 81686 | | 6F 8483 | 6F 8683 | 6F 8983 | | 6F 8583 | |
| | 3/4 (19.05) | NPT | 10,000 (690) | | | | 4F 12882 | | 6F 12686 | 6F 12986 | 6F 121286 | 6F 121686 | | | | | 6F 12983 | | |
| | 1 (25.40) | NPT | 10,000 (690) | | | | | | 6F 16986 | | | 6F 161686 | | 6F 16483 | | 6F 16983 | | | |

*Maximum pressure rating is based on the lowest rating of any component.
Actual working pressure may be determined by tubing pressure rating, if lower.

All dimensions for reference only and subject to change.
For prompt service, Autoclave stocks select products. Consult your local representative.
CAUTION: See appropriate pressure section in reference to proper selection of tubing.

Coupling Dimensions - Speedbite

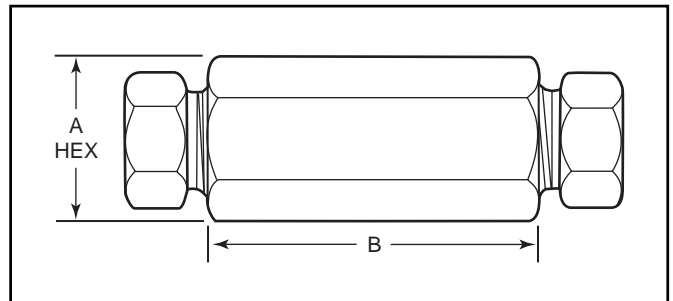
| Connection "A" | Connection "B" | Catalog Number | Dimension inches (mm) | |
|----------------|----------------|----------------|-----------------------|-------------|
| | | | A Hex | B |
| W125 | W125 | 15F221 | 0.50 (12.7) | 1.25 (31.7) |
| W125 | SW250 | 6F2412 | 0.63 (15.9) | 1.44 (36.6) |
| W125 | SW375 | 6F2612 | 0.75 (19.1) | 1.50 (38.1) |
| W125 | SW500 | 4F2812 | 1.00 (25.4) | 1.63 (41.4) |
| W125 | SF250CX | 15F2416 | 0.63 (15.9) | 1.38 (35.1) |
| W125 | SF375CX | 15F2616 | 0.75 (19.1) | 1.50 (38.1) |
| W125 | SF562CX | 15F2916 | 1.00 (25.4) | 1.75 (44.5) |
| W125 | F250C | 15F2413 | 0.75 (19.1) | 1.25 (31.7) |
| W125 | F375C | 15F2613 | 1.00 (25.4) | 1.50 (38.1) |
| W125 | F562C | 15F2913 | 1.38 (35.1) | 1.75 (44.5) |
| SW250 | SW250 | 6F4422 | 0.63 (15.9) | 1.63 (41.4) |
| SW250 | SW375 | 6F4622 | 0.75 (19.1) | 1.69 (42.9) |
| SW250 | SW500 | 4F4822 | 1.00 (25.4) | 1.88 (47.8) |
| SW250 | SF250CX | 6F4426 | 0.63 (15.9) | 1.63 (41.4) |
| SW250 | SF375CX | 6F4626 | 0.75 (19.1) | 1.75 (44.5) |
| SW250 | SF562CX | 6F4926 | 1.00 (25.4) | 2.00 (50.8) |
| SW250 | F250C | 6F4423 | 0.75 (19.1) | 1.50 (38.1) |
| SW250 | F375C | 6F4623 | 1.00 (25.4) | 1.69 (42.9) |
| SW250 | F562C | 6F4923 | 1.38 (35.1) | 2.06 (52.3) |

| Connection "A" | Connection "B" | Catalog Number | Dimension inches (mm) | |
|----------------|----------------|----------------|-----------------------|-------------|
| | | | A Hex | B |
| SW375 | SW375 | 6F6622 | 0.75 (19.1) | 1.75 (44.5) |
| SW375 | SW500 | 4F6822 | 1.00 (25.4) | 1.88 (47.8) |
| SW375 | SF250CX | 6F6426 | 0.75 (19.1) | 0.88 (22.2) |
| SW375 | SF375CX | 6F6626 | 0.75 (19.1) | 1.75 (44.5) |
| SW375 | SF562CX | 6F6926 | 1.00 (25.4) | 2.00 (50.8) |
| SW375 | SF750CX | 6F61226 | 1.38 (35.1) | 2.25 (57.2) |
| SW375 | SF1000CX | 6F61626 | 1.75 (44.5) | 3.00 (76.2) |
| SW375 | F250C | 6F6423 | 0.75 (19.1) | 1.63 (41.4) |
| SW375 | F375C | 6F6623 | 1.00 (25.4) | 1.81 (46.0) |
| SW375 | F562C | 6F6923 | 1.38 (35.1) | 2.00 (50.8) |
| SW500 | SW500 | 4F8822 | 1.00 (25.4) | 2.00 (50.8) |
| SW500 | SF250CX | 4F8426 | 1.00 (25.4) | 1.63 (41.4) |
| SW500 | SF375CX | 4F8626 | 1.00 (25.4) | 1.88 (47.8) |
| SW500 | SF562CX | 4F8926 | 1.00 (25.4) | 2.00 (50.8) |
| SW500 | SF750CX | 4F81226 | 1.38 (35.1) | 2.25 (57.2) |
| SW500 | SF1000CX | 4F81626 | 1.75 (44.5) | 3.00 (76.2) |
| SW500 | F250C | 4F8423 | 1.00 (25.4) | 1.69 (42.9) |
| SW500 | F375C | 4F8623 | 1.00 (25.4) | 1.88 (47.8) |
| SW500 | F562C | 4F8923 | 1.38 (35.1) | 2.06 (52.3) |

Coupling Dimensions - Medium Pressure

| Connection "A" | Connection "B" | Catalog Number | Dimension inches (mm) | |
|----------------|----------------|----------------|-----------------------|-------------|
| | | | A Hex | B |
| SF250CX | SF250CX | 20FX4466 | 0.63 (15.9) | 1.63 (41.4) |
| SF250CX | SF375CX | 20F4666 | 0.75 (19.1) | 1.75 (44.5) |
| SF250CX | SF562CX | 20F4966 | 1.00 (25.4) | 2.00 (50.8) |
| SF250CX | SF750CX | 20F41266 | 1.38 (35.1) | 2.25 (57.2) |
| SF250CX | SF1000CX | 20F41666 | 1.75 (44.5) | 2.75 (69.9) |
| SF250CX | F250C | 20F4463 | 0.75 (19.1) | 1.38 (35.1) |
| SF250CX | F375C | 20F4663 | 1.00 (25.4) | 1.63 (41.4) |
| SF250CX | F562C | 20F4963 | 1.38 (35.1) | 1.88 (47.8) |
| SF250CX | F312C150 | 20F4563 | 1.00 (25.4) | 2.13 (54.1) |
| SF250CX | SF1000CX43 | 43F41663 | 1.75 (44.5) | 2.75 (69.9) |
| SF375CX | SF375CX | 20FX6666 | 0.75 (19.1) | 1.75 (44.5) |
| SF375CX | SF562CX | 20F6966 | 1.00 (25.4) | 2.00 (50.8) |
| SF375CX | SF750CX | 20F61266 | 1.38 (35.1) | 2.25 (57.2) |
| SF375CX | SF1000CX | 20F61666 | 1.75 (44.5) | 2.88 (73.0) |
| SF375CX | F250C | 20F6463 | 0.75 (19.1) | 1.63 (41.4) |
| SF375CX | F375C | 20F6663 | 1.00 (25.4) | 2.00 (50.8) |
| SF375CX | F562C | 20F6963 | 1.38 (35.1) | 2.00 (50.8) |
| SF375CX | F312C150C | 20F6563 | 1.00 (25.4) | 2.25 (57.2) |
| SF375CX | SF1000CX43 | 43F61663 | 1.75 (44.5) | 2.88 (73.0) |
| SF562CX | SF562CX | 20FX9966 | 1.00 (25.4) | 2.13 (54.1) |
| SF562CX | SF750CX | 20F91266 | 1.38 (35.1) | 2.50 (63.5) |
| SF562CX | SF1000CX | 20F91666 | 1.75 (44.5) | 3.00 (76.2) |
| SF562CX | F250C | 20F9463 | 1.00 (25.4) | 2.00 (50.8) |
| SF562CX | F375C | 20F9663 | 1.00 (25.4) | 2.00 (50.8) |
| SF562CX | F562C | 20F9963 | 1.38 (35.1) | 2.25 (57.2) |
| SF562CX | F312C150C | 20F9563 | 1.00 (25.4) | 2.50 (63.5) |

| Connection "A" | Connection "B" | Catalog Number | Dimension inches (mm) | |
|----------------|----------------|----------------|-----------------------|--------------|
| | | | A Hex | B |
| SF750CX | SF750CX | 20FX12 | 1.38 (35.1) | 2.50 (63.5) |
| SF750CX | SF1000CX | 20F121666 | 1.75 (44.5) | 3.00 (76.2) |
| SF750CX | F250C | 20F12463 | 1.38 (35.1) | 2.50 (63.5) |
| SF750CX | F375C | 20F12663 | 1.38 (35.1) | 2.38 (60.33) |
| SF750CX | F562C | 20F12963 | 1.38 (35.1) | 2.75 (69.9) |
| SF750CX | F312C150 | 20F12563 | 1.38 (35.1) | 2.75 (69.9) |
| SF1000CX | SF1000CX | 20FX16 | 1.75 (44.5) | 3.50 (88.9) |
| SF1000CX | F250C | 20F16463 | 1.75 (44.5) | 2.75 (69.9) |
| SF1000CX | F375C | 20F16663 | 1.75 (44.5) | 2.88 (73.0) |
| SF1000CX | F562C | 20F16963 | 1.75 (44.5) | 3.25 (82.6) |
| SF1000CX | F312C150 | 20F16563 | 1.75 (44.5) | 3.25 (82.6) |

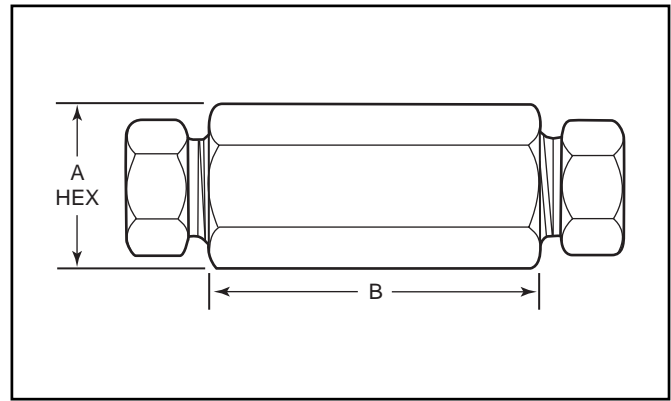


Maximum pressure rating is based on the lowest rating of any component.
Actual working pressure may be determined by tubing pressure rating, if lower.
Note: For pressure rating see selection chart.

All dimensions for reference only and subject to change.
For prompt service, Autoclave stocks select products. Consult your local representative.

Coupling Dimensions - High Pressure

| Connection "A" | Connection "B" | Catalog Number | Dimension inches (mm) | |
|----------------|----------------|----------------|-----------------------|-------------|
| | | | A Hex | B |
| F250C | F250C | 60F4433 | 0.75 (19.1) | 1.38 (35.1) |
| F250C | F375C | 60F4633 | 1.00 (25.4) | 1.63 (41.4) |
| F250C | F562C | 60F4933 | 1.38 (35.1) | 1.75 (44.5) |
| F250C | F312C150 | 60F4533 | 1.00 (25.4) | 2.00 (50.8) |
| F250C | F1000CX43 | 43F41633 | 1.75 (44.5) | 2.75 (69.9) |
| F375C | F375C | 60F6633 | 1.00 (25.4) | 1.75 (44.5) |
| F375C | F562C | 60F6933 | 1.38 (35.1) | 2.00 (50.8) |
| F375C | F312C150 | 60F6533 | 1.00 (25.4) | 2.25 (57.2) |
| F375C | F1000CX43 | 43F61633 | 1.75 (44.5) | 2.88 (73.0) |
| F562C | F562C | 60F9933 | 1.38 (35.1) | 2.19 (55.6) |
| F562C40 | F562C40 | 40F9933 | 1.38 (35.1) | 2.19 (55.6) |
| F562C | F312C150 | 60F9533 | 1.19 (30.1) | 2.63 (66.7) |
| F562C | SF1000CX43 | 43F91633 | 1.75 (44.5) | 3.75 (82.6) |
| F312C150 | F312C150 | 150F5533 | 1.38 (35.1) | 2.50 (63.5) |
| SF1000CX43 | SF1000CX43 | 43FX16 | 1.75 (44.5) | 3.50 (88.9) |



Coupling Dimensions - National Pipe Thread (NPT)

| Connection "A" | Connection "B" | Catalog Number | Dimension inches (mm) | |
|----------------|----------------|----------------|-----------------------|-------------|
| | | | A Hex | B |
| 1/8 NPT | W125 | 6F2281 | 0.63 (15.9) | 1.38 (35.1) |
| 1/8 NPT | SW250 | 6F2482 | 0.63 (15.9) | 1.50 (38.1) |
| 1/8 NPT | SW375 | 6F2682 | 0.75 (19.1) | 1.63 (41.4) |
| 1/8 NPT | SW500 | 4F2882 | 1.00 (25.4) | 1.50 (38.1) |
| 1/8 NPT | SF250CX | 6F2486 | 0.63 (15.9) | 1.38 (35.1) |
| 1/8 NPT | SF375CX | 6F2686 | 0.75 (19.1) | 1.50 (38.1) |
| 1/8 NPT | SF562CX | 6F2986 | 1.00 (25.4) | 1.63 (41.4) |
| 1/8 NPT | SF750CX | 6F21286 | 1.38 (35.1) | 1.75 (44.5) |
| 1/8 NPT | F250C | 6F2483 | 0.75 (19.1) | 1.38 (35.1) |
| 1/8 NPT | F375C | 6F2683 | 1.00 (25.4) | 1.63 (41.4) |
| 1/8 NPT | F562C | 6F2983 | 1.38 (35.1) | 1.82 (46.2) |
| 1/8 NPT | F312C150 | 6F2583 | 1.00 (25.4) | 2.13 (54.1) |

| Connection "A" | Connection "B" | Catalog Number | Dimension inches (mm) | |
|----------------|----------------|----------------|-----------------------|--------------|
| | | | A Hex | B |
| 1/4 NPT | W125 | 6F4281 | 0.75 (19.1) | 1.50 (38.1) |
| 1/4 NPT | SW250 | 6F4482 | 0.75 (19.1) | 1.63 (41.4) |
| 1/4 NPT | SW375 | 6F4682 | 0.75 (19.1) | 1.75 (44.5) |
| 1/4 NPT | SW500 | 4F4882 | 0.75 (19.1) | 1.63 (41.4) |
| 1/4 NPT | SF250CX | 6F4486 | 0.75 (19.1) | 1.63 (41.4) |
| 1/4 NPT | SF375CX | 6F4686 | 0.75 (19.1) | 1.75 (44.5) |
| 1/4 NPT | SF562CX | 6F4986 | 1.00 (25.4) | 2.00 (50.8) |
| 1/4 NPT | SF750CX | 6F41286 | 1.38 (35.1) | 1.75 (44.5) |
| 1/4 NPT | SF1000CX | 6F41686 | 1.38 (35.1) | 2.38 (60.33) |
| 1/4 NPT | F250C | 6F4483 | 0.75 (19.1) | 1.63 (41.4) |
| 1/4 NPT | F375C | 6F4683 | 1.00 (25.4) | 1.88 (47.8) |
| 1/4 NPT | F562C | 6F4983 | 1.38 (35.1) | 2.00 (50.8) |
| 1/4 NPT | F312C150 | 6F4583 | 1.00 (25.4) | 2.50 (63.5) |

Maximum pressure rating is based on the lowest rating of any component.
Actual working pressure may be determined by tubing pressure rating, if lower.
Note: For pressure rating see selection chart.

All dimensions for reference only and subject to change.
For prompt service, Autoclave stocks select products. Consult your local representative.

