

Ball Valves

Actuators

Pneumatic Actuators

Electric Actuators

Autoclave Engineers ball valves can be supplied with either pneumatic or electric operators for automated or remote operation.

Pneumatic and electric operators can be supplied with a variety of features and options. Operators are sized for each valve series to provide reliable and trouble free operation. Listed below are the operator features and available options.

AE Ball Valve Actuator Features/Options:

Pneumatic Operators

- Used for remote and automatic operation.
- Air-to-open/spring-to-close and air to open and close (double acting).
- Limit switches or limit switches with visual indicators available.
- High temperature option available.
- Stainless steel housing for corrosive applications available.
- Optional solenoid valve available
- Optional epoxy coated housing available

Electric Operators

- Interface with control systems for automated operation and monitoring.
- 120 & 220 VAC, 50/60 Hz standard.
- Explosion proof available.
- CE mark available.



Autoclave Engineers 

Fluid Components
Division of Snap-tite, Inc.

www.autoclaveengineers.com

Ball Valves - Actuators

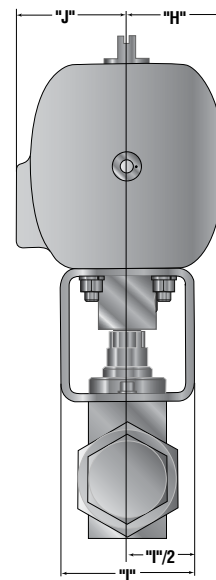
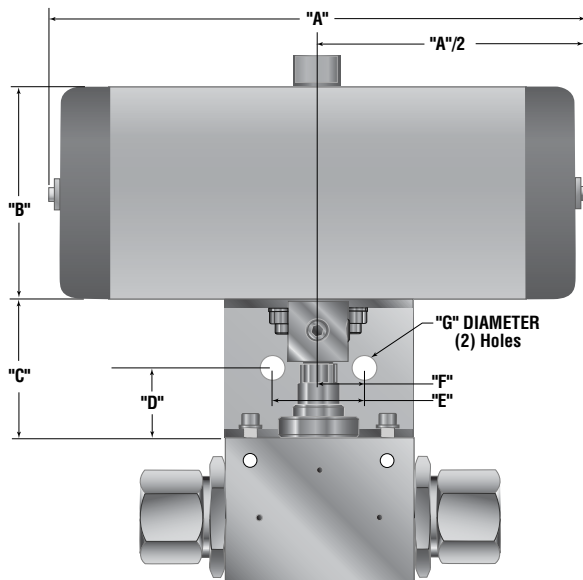
Pneumatic Operated Ball Valves

Add the suffix **-AO** or **-AOC** to the appropriate valve catalog number for a complete valve assembly

VALVE SERIES	DIMENSION DATA - Inches (mm)										MINIMUM REQUIRED
	"A"	"B"	"C"	"D"	"E"	"F"	"G"	"H"	"I"	"J"	AIR PRESSURE
2B4-AO	6.69 (169.92)	2.56 (65.02)	2.50 (63.50)	1.25 (31.75)	1.00 (25.40)	0.50 (12.70)	0.28 (7.11)	1.14 (28.95)	2.50 (63.50)	1.58 (40.13)	80 psi (5.51 bar)
2B6-AO	9.84 (249.93)	3.94 (100.07)	3.00 (76.20)	1.50 (38.10)	1.50 (25.40)	0.75 (19.05)	0.34 (8.63)	1.87 (47.49)	3.00 (76.20_)	2.24 (56.89)	80 psi (5.51 bar)
2B8-AO ★	11.65 (299.91)	4.57 (116.07)	3.00 (76.20)	1.50 (38.10)	2.00 (50.80)	1.00 (25.40)	0.53 (13.46)	2.17 (55.11)	3.00 (76.20)	2.48 (62.99)	80 psi (5.51 bar)
3BD3-AO	6.69 (169.92)	2.56 (65.02)	2.50 (63.50)	1.25 (31.75)	1.00 (25.40)	0.50 (12.70)	0.28 (7.11)	1.14 (28.95)	2.50 (63.50)	1.58 (40.13)	80 psi (5.51 bar)
3BD6-AO ★	9.84 (249.93)	3.94 (100.07)	3.00 (76.20)	1.50 (38.10)	1.50 (25.40)	0.75 (19.05)	0.34 (8.63)	1.87 (47.49)	3.00 (76.20_)	2.24 (56.89)	80 psi (5.51 bar)
3BD8-AO	11.65 (299.91)	4.57 (116.07)	3.00 (76.20)	1.50 (38.10)	2.00 (50.80)	1.00 (25.40)	0.53 (13.46)	2.17 (55.11)	3.00 (76.20)	2.48 (62.99)	80 psi (5.51 bar)
2B4-AOC	6.69 (169.92)	2.56 (65.02)	2.50 (63.50)	1.25 (31.75)	1.00 (25.40)	0.50 (12.70)	0.28 (7.11)	1.14 (28.95)	2.50 (63.50)	1.58 (40.13)	80 psi (5.51 bar)
2B6-AOC	7.95 (201.93)	3.07 (77.97)	3.00 (76.20)	1.50 (38.10)	1.50 (38.10)	0.75 (19.05)	0.34 (8.63)	1.40 (35.56)	3.00 (76.20_)	1.77 (44.95)	80 psi (5.51 bar)
2B8-AOC	9.84 (249.91)	3.94 (100.07)	3.00 (76.20)	1.50 (38.10)	2.00 (50.80)	1.00 (25.40)	0.53 (13.46)	1.87 (47.49)	3.00 (76.20)	2.24 (56.89)	80 psi (5.51 bar)
3BD3-AOC	6.69 (169.92)	2.56 (65.02)	2.50 (63.50)	1.25 (31.75)	1.00 (25.40)	0.50 (12.70)	0.28 (7.11)	1.14 (28.95)	2.50 (63.50)	1.58 (40.13)	80 psi (5.51 bar)
3BD6-AOC	7.95 (201.93)	3.07 (77.97)	3.00 (76.20)	1.50 (38.10)	1.50 (25.40)	0.75 (19.05)	0.34 (8.63)	1.40 (35.56)	3.00 (76.20_)	1.77 (44.95)	80 psi (5.51 bar)
3BD8-AOC	9.84 (249.91)	3.94 (100.07)	3.00 (76.20)	1.50 (38.10)	2.00 (50.80)	1.00 (25.40)	0.53 (13.46)	1.87 (47.49)	3.00 (76.20)	2.24 (56.89)	80 psi (5.51 bar)

- NOTE:
- Maximum allowable air pressure is 150 psi (10.34)
 - 1/8" NPT female air connector (* = 1/4" NPT)
 - AO: Air to open/spring to close
 - AOC: Air to open/air to close (double acting)

- Actuators operating temperature: -20°F to 175°F (-29°C to 79°C)
- High Temperature actuator option available, consult factory
- Stainless steel housing actuator models available, consult factory
- Actuators available with limit switches and visual indicators.
- Corrosion resistant anodized aluminum housing.
- Epoxy coated housing available.
- Solenoids available, direct or nipple mount.



All general terms and conditions of sale, including limitations of our liability, apply to all products and services sold.

Ball Valves - Actuators

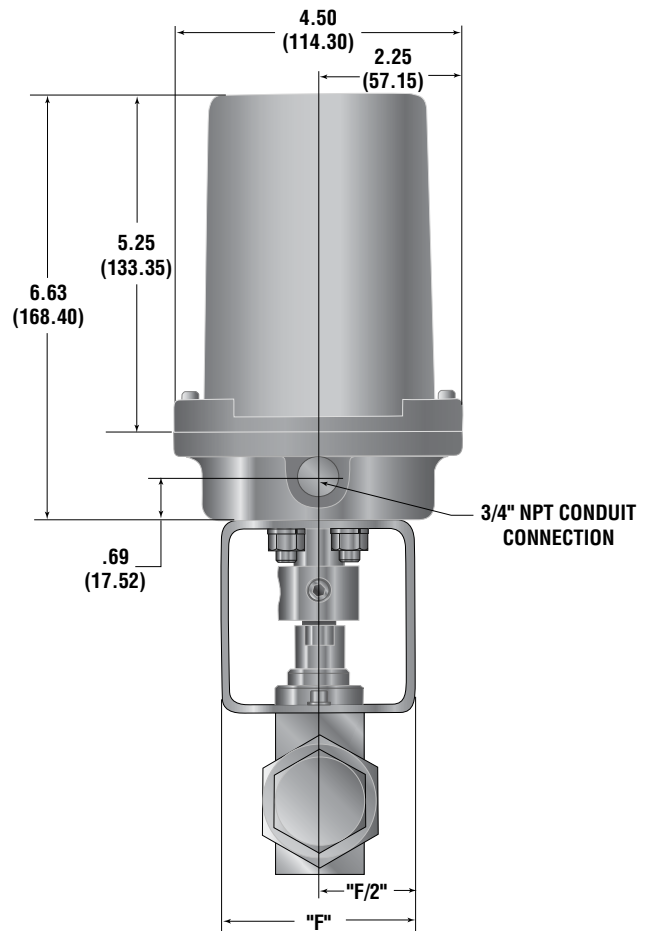
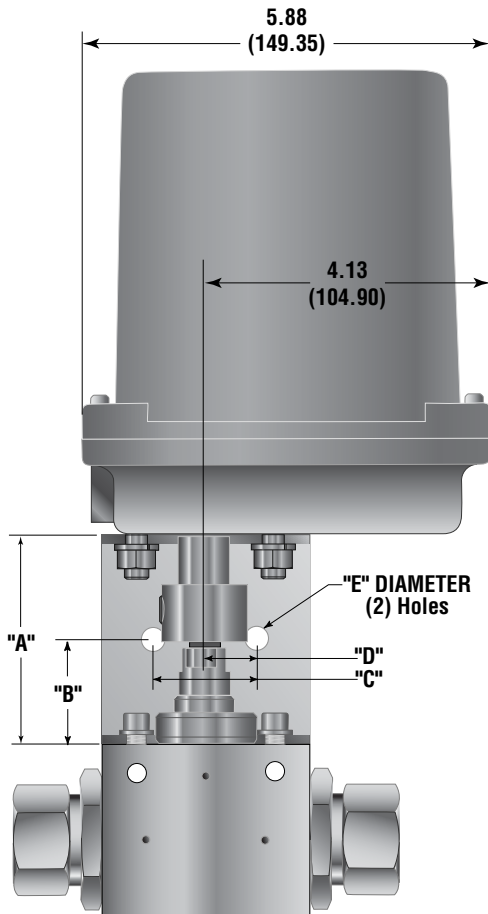
Electric Operated Ball Valves

Add the suffix **-E01** or **-E02** to the appropriate valve catalog number for a complete valve assembly

VALVE SERIES	DIMENSION DATA - Inches (mm)						VOLTAGE
	"A"	"B"	"C"	"D"	"E"	"F"	50/60 HZ
2B4-E01	2.50 (63.50)	1.25 (31.75)	1.00 (25.40)	0.50 (12.70)	0.28 (7.11)	2.50 (63.50)	120 VAC
2B6-E01	3.00 (76.20)	1.50 (38.10)	1.50 (38.10)	0.75 (19.05)	0.34 (8.63)	3.00 (76.20)	120 VAC
3BD3-E01	2.50 (63.50)	1.25 (31.75)	1.00 (25.40)	0.50 (12.70)	0.28 (7.11)	2.50 (63.50)	120 VAC
3BD6-E01	3.00 (76.20)	1.50 (38.10)	1.50 (38.10)	0.75 (19.05)	0.34 (8.63)	3.00 (76.20)	120 VAC
2B4-E02	2.50 (63.50)	1.25 (31.75)	1.00 (25.40)	0.50 (12.70)	0.28 (7.11)	2.50 (63.50)	220 VAC
2B6-E02	3.00 (76.20)	1.50 (38.10)	1.50 (38.10)	0.75 (19.05)	0.34 (8.63)	3.00 (76.20)	220 VAC
3BD3-E02	2.50 (63.50)	1.25 (31.75)	1.00 (25.40)	0.50 (12.70)	0.28 (7.11)	2.50 (63.50)	220 VAC
3BD6-E02	3.00 (76.20)	1.50 (38.10)	1.50 (38.10)	0.75 (19.05)	0.34 (8.63)	3.00 (76.20)	220 VAC

- NOTE:
- E01: Electric 120 VAC
 - E02: Electric 220 VAC
 - CSA approved for NEMA 4 & 4X

- For other voltages consult factory
- Actuator operating temperature: -20°F to 160°F (-29°C to 71°C)
- Corrosive resistant Zytel housing
- Consult factory for epoxy option



All general terms and conditions of sale, including limitations of our liability, apply to all products and services sold.

Ball Valves - Actuators

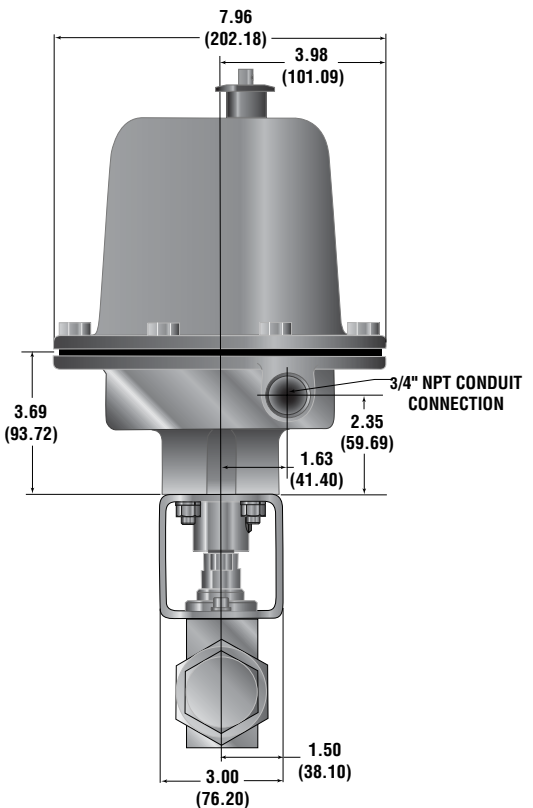
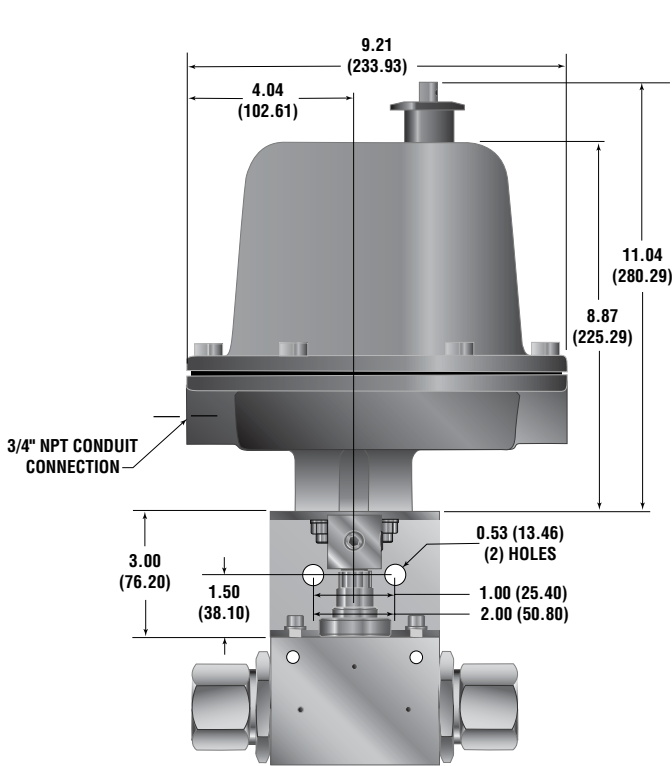
Electric Operated Ball Valves

Add the suffix **-E01** or **-E02** to the appropriate valve catalog number for a complete valve assembly

VALVE SERIES	VOLTAGE
	50/60 HZ
2B8-E01	120 VAC
3BD8-E01	120 VAC
2B8-E02	220 VAC
3BD8-E02	220 VAC

- NOTE:
- E01: Electric 120 VAC
 - E02: Electric 220 VAC
 - For other voltages consult factory
 - Actuator operating temperature: -20°F to 160°F (-29°C to 71°C)

- CE marked.
- UL listed & CSA approved for NEMA 4, 4x, 7 & 9
- Explosion proof.



! WARNING !

FAILURE OR IMPROPER SELECTION OR IMPROPER USE OF THE PRODUCTS AND/OR SYSTEMS DESCRIBED HEREIN OR RELATED ITEMS CAN CAUSE DEATH, PERSONAL INJURY AND/OR PROPERTY DAMAGE.

This document and other information from Snap-tite, Inc., its subsidiaries and authorized distributors, provides product and/or system options for further investigation by users having technical expertise. It is important that you analyze all aspects of your application and review the information concerning the product or system in the current product catalog. Due to the variety of operation conditions and applications for these products or systems, the user, through its own analysis and testing, is solely responsible for making the final selection of the products and systems and assuring that all performance, safety and warning requirements of the application are met.

The products described herein, including without limitation, product features, specifications, designs, availability and pricing, are subject to change by Snap-tite, Inc. and its subsidiaries at any time without notice.



Industrial Estate
Whitemill-Wexford
Republic of Ireland
PH: 353-53-41566 FAX: 353-53-41582
e-mail: ste_sales@snap-tite.com
www.snap-tite.com



Fluid Components
Division of Snap-tite, Inc.

8325 Hessinger Drive
Erie, Pennsylvania 16509-4679 USA
PH: 814-838-5700 FAX: 814-838-5811
e-mail: ae_sales@snap-tite.com
www.autoclaveengineers.com

ISO-9001
Certified

02-0109SE-0103