



ATKOMATIC

 **CIRCLE SEAL CONTROLS, INC.**
A division of CIRCOR International, Inc.

HS Series

**Bronze, Pilot-Piston, Pressure 5 to 125 PSIG
Steam or Hot Water Value**

Features

- Pressures to 125 psig (saturated steam temperature of 352° F)
- Pipe sizes from 1/4" through 1 1/2" (British BSPT ports available)
- Full ported valves – C_v from 1.4 to 21
- Pilot operated – require a minimum pressure differential of 5 psig
- Bronze valve material (Naval M Bronze)
- Metal to metal pilot seat, Teflon® piston seat and Teflon® body o-ring seal
- No options available
- Class H coil is standard

Operational pressures (5 psid minimum pressure differential)

Liquids to 40 SUS		Steam	
A.C.	D.C.	A.C.	D.C.
125	125	125	125

2301 Wardlow Circle, P.O. Box 3300
Corona, California 92878
tel 909-270-6200
fax 909-270-6201
www.circle-seal.com
am_sales@circle-seal.com
ind_sales@circle-seal.com

HS Series

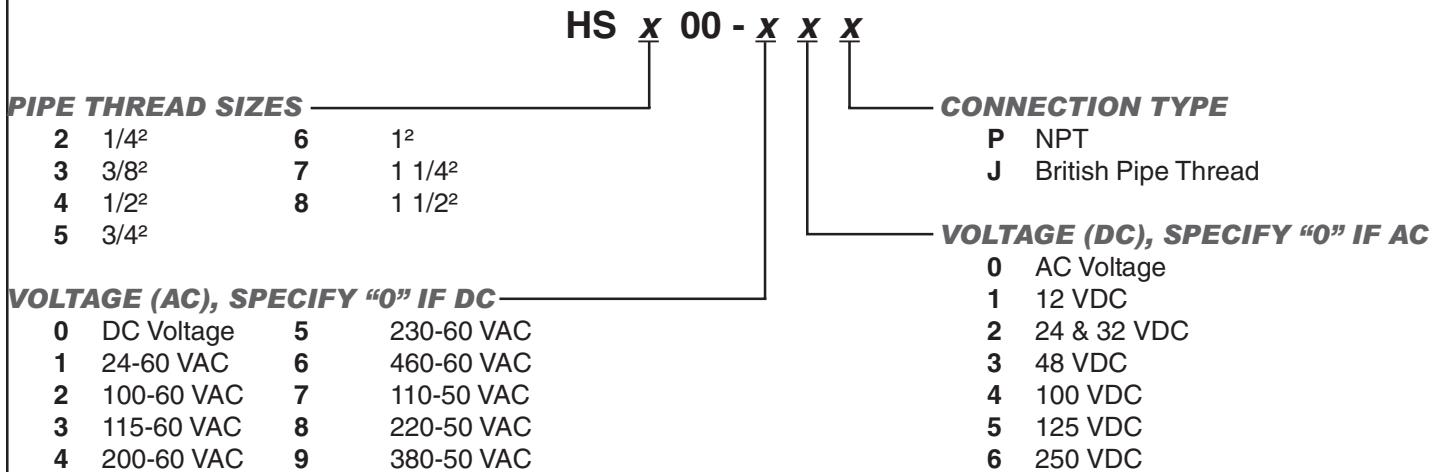
Dimensions, Shipping Weights, and C_v Flow Factors

Catalog Num. Prefix	Pipe Size	Main Seat Orifice Diat	X	Y	Z	Shipping Weight (lbs)	C _v
HS 200	1/4"	1/2"	4 3/4"	3 7/8"	2 11/16"	3	1.4
HS 300	3/8"	1/2"	4 3/4"	3 7/8"	2 11/16"	3	2.7
HS 400	1/2"	1/2"	4 3/4"	3 7/8"	3"	4	3.5
HS 500	3/4"	1"	5 1/4"	4"	3 3/4"	5	7.5
HS 600	1"	1"	5 1/4"	4"	3 3/4"	5	9.1
HS 700	1 1/4"	1 1/2"	7"	5 1/8"	5 1/16"	13	19.5
HS 800	1 1/2"	1 1/2"	7"	5 1/8"	5 1/16"	13	21.0

HS500 3/4" Valve

* Repair kit parts

How to Order



Teflon® is a registered trademark of Dupont.

For ordering wizard go to
www.circle-seal.com/atkomatic/product_selection_wizard.htm
 or request disk from 909-270-6315