

# ATKOMATIC

 **CIRCLE SEAL CONTROLS, INC.**  
A division of CIRCOR International, Inc.

## 6000 Series

**Bronze, Pilot-Piston, 0 to 1500 PSIG  
Medium Pressure Valve Configurable for Variety  
of Fluid Applications**

### Features

- Pressures to 1500 psig
- Pilot operated—require a minimum pressure differential of 5 psig
- Full ported valves
- Fluid temperatures from -423° F to +500° F
- For use with any gas or liquid (max viscosity of 200 SSU), including steam and cryogenic, that is not harmful to bronze
- Pipe sizes of 1/4" through 1 1/2" (British BSPT ports available)
- C<sub>v</sub> from 1.4 to 21
- Available in Normally Open and Normally Closed versions
- Optional pilot & piston seat seal materials of Teflon®, Kel-F, Buna-N, Viton®, EPR, or metal (316 SS pilot & brass piston seat) depending on fluid type and pressure
- Body seal materials of Teflon®, Viton®, Buna-N, or EPR.
- Bronze valve material (Naval M Bronze)
- Removable 316 SS body inserts (stainless steel trim)
- Coils housings available in NEMA 1 (standard), NEMA 4 (waterproof), NEMA 7 (explosion-proof for hazardous locations), and combination NEMA 4 and 7
- Manual opening and throttling devices are available as options
- Class B coils are available for media temperatures of 0° F through +220° F—available on both Normally Closed and Normally Open valves
- Class H coils are available—recommended for media temperatures of -423° F through +500° F—available on both normally closed and normally open valves

2301 Wardlow Circle, P.O. Box 3300  
Corona, California 92878  
tel 909-270-6200  
fax 909-270-6201  
www.circle-seal.com  
am\_sales@circle-seal.com  
ind\_sales@circle-seal.com

# 6000 Series

Bronze, Pilot-Piston, 0 to 1500 PSIG

Medium Pressure Valve Configurable for Variety of Fluid Applications

## Operational Pressures

(5 psid minimum pressure differential)

Gases		Liquids to 40 SUS		Liquids over 40 SUS		Steam	
A.C.	D.C.	A.C.	D.C.	A.C.	D.C.	A.C.	D.C.
<b>Normally closed 6000 - 6200 1/4" through 1/2"</b>							
1500	1500	1500	1000	1200	600	200	200
<b>Normally closed 6300 - 6600 3/4" through 1 1/2"</b>							
1000	1000	1000	1000	1000	600	200	200
<b>Normally open 6001 - 6201 1/4" through 1/2"</b>							
1500	1000	1000	500	1000	350	200	200
<b>Normally open 6301 - 6601 3/4" through 1 1/2"</b>							
1000	1000	1000	500	1000	350	200	200

**Note:** Normally open 6001 Series valves are rated for intermittent duty only, unless other operational parameters are at their nominal values.

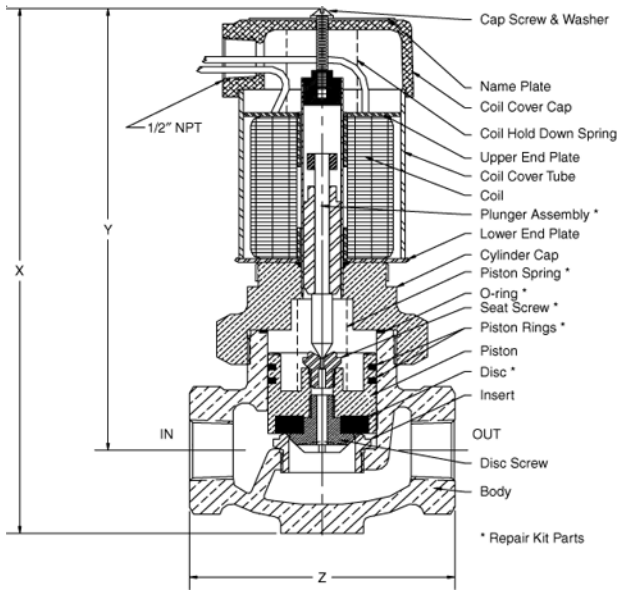
**Note:** Rubber seats are limited to 500 psi.

# 6000 Series

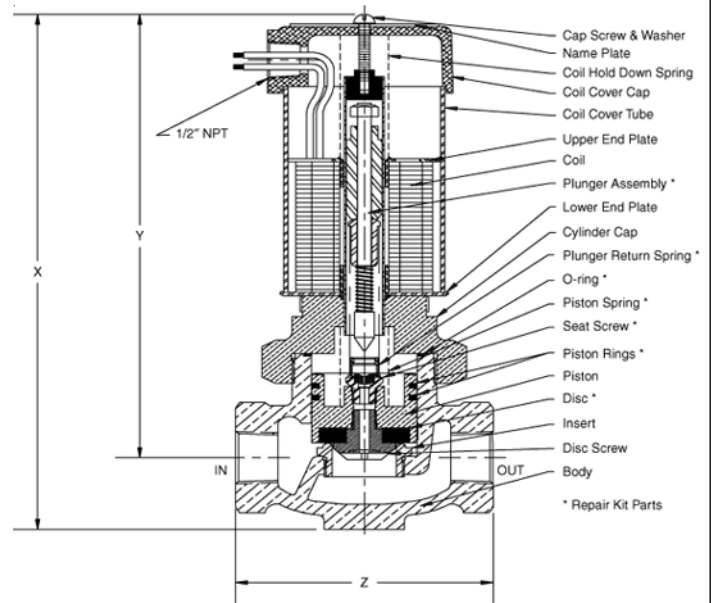
Bronze, Pilot-Piston, 0 to 1500 PSIG

Medium Pressure Valve Configurable for Variety of Fluid Applications

## Dimensions, Shipping Weights, and C<sub>v</sub> Flow Factors



**Normally Closed 1" 6400 Valve**—shown with a NEMA 1 coil housing and a metal pilot seat



**Normally Open 1" 6401 Valve**—shown with a NEMA 1 coil housing and a soft pilot seat

### Normally Closed

Catalog Num. Prefix	Pipe Size	Main Seat Orifice Dia	X	Y	Z	Shipping Weight (lbs.)	Cv
6000	1/4"	3/8"	7 1/8"	6 1/4"	2 11/16"	6	1.4
6100	3/8"	3/8"	7 1/8"	6 1/4"	2 11/16"	6	2.7
6200	1/2"	1/2"	7 1/8"	6 1/4"	3"	8	3.5
6300	3/4"	1"	8 1/4"	7"	4"	9	8.4
6400	1"	1"	8 1/4"	7"	4"	9	9.5
6500	1 1/4"	1 1/2"	9 13/16"	8"	5 1/16"	15	19.5
6600	1 1/2"	1 1/2"	9 13/16"	8"	5 1/16"	15	21.0

### Normally Open

Catalog Num. Prefix	Pipe Size	Main Seat Orifice Dia	X	Y	Z	Shipping Weight (lbs.)	Cv
6001	1/4"	3/8"	8 1/8"	7 1/4"	2 11/16"	6	1.4
6101	3/8"	3/8"	8 1/8"	7 1/4"	2 11/16"	6	2.7
6201	1/2"	1/2"	8 1/8"	7 1/4"	3"	8	3.5
6301	3/4"	1"	9 7/16"	8 3/16"	4"	9	8.4
6401	1"	1"	9 7/16"	8 3/16"	4"	9	9.5
5400	1 1/4"	1 1/2"	11"	9 3/16"	5 1/16"	15	19.5
6600	1 1/2"	1 1/2"	11"	9 3/16"	5 1/16"	15	21.0

# 6000 Series

## How to Order

6 x 0 x - x x x x x x x x x x x x

### CONNECTION SIZE

0	1/4"		
1	3/8"	4	1"
2	1/2"	5	1 1/4"
3	3/4"	6	1 1/2"

### NORMAL POSITION OF VALVE (DE-ENERGIZED)

0	Normally Closed
1	Normally Open

### VOLTAGE AC/60 Hz

0	AC/50 Hz or DC Voltage		
1	24 VAC	3	115 VAC
		5	230 VAC
2	100 VAC	4	200 VAC
		6	460 VAC

### VOLTAGE AC/50 Hz

0	AC/60 Hz or DC Voltage		
1	24 VAC	3	220 VAC
2	110 VAC	4	380 VAC

### VOLTAGE DC

0	AC Voltage		
1	12 VDC	3	32 VDC
		5	125 VDC
2	24 VDC	4	72 VDC
		6	250 VDC

### COIL INSULATION RATING

B	Class B 155° C
H	Class H 180° C

### CONNECTION TYPE

P	NPT
J	British Pipe Thread

### MAX. OPERATING PRESS (psig)

A	25	F	200	K	850
B	50	G	250	L	1000
C	75	H	300	M	1500
D	100	I	500		
E	150	J	800		

### OPTIONS

P	Position Indicator
M	Manual Opening
T	Manual Throttling

### COIL HOUSING

E	Explosion-proof
S	Standard
W	Waterproof
C	Combined Water- & Explosion-proof

### FLUID MEDIA TYPE

1	Gas
2	Liquid up to 40 SUS
3	Liquid from 41 SUS to 150 SUS
4	Steam
5	Cryogenic

### SEAL MATERIAL

A	Teflon®	B	Buna-N
C	Viton®	D	EPR

### SEAT/PILOT MATERIAL

A	TFE pilot & TFE disc
B	Buna pilot & Buna disc
C	Viton® pilot & Viton® disc
D	EPR pilot & EPR disc
E	Kel-F pilot & Kel-F disc
F	Metal pilot & Metal disc
G	Metal pilot & TFE disc
H	Metal pilot & Buna disc
I	Metal pilot & Viton® disc
J	Metal pilot & EPR disc
K	Metal pilot & Kel-F disc

Viton® is a registered trademark of DuPont Dow Elastomers.  
Teflon® is a registered trademark of DuPont.

For ordering wizard go to  
[www.circle-seal.com/atkomatic/product\\_selection\\_wizard.htm](http://www.circle-seal.com/atkomatic/product_selection_wizard.htm)  
or request disk from 909-270-6315