

ATKOMATIC

 **CIRCLE SEAL CONTROLS, INC.**
A division of CIRCOR International, Inc.

15,400 Series

Bronze, Semi-Direct Lift, 0 to 300 PSIG

Low Pressure Valve Configurable for Variety of Fluid Applications

Features

- Semi-direct lift action for operation down to zero pressure differential
- Operation up to 300 psi
- Bronze valve material (Naval M Bronze)
- Available normally closed or normally open
- Media temperatures from -423° F to +500° F
- Will handle fluids with viscosity up to 150 SUS
- Suitable for use with wide variety of fluid including: air, gasses, liquids, hydraulic fluids, steam, cryogenic fluids, and fluid not harmful to bronze
- Optional seat materials of Teflon®, Kel-F, Buna-N, Viton®, EPR, or metal (316 SS pilot and/or brass piston seat) depending on fluid type and pressure
- Body seal materials of Teflon®, Viton®, Buna-N, or EPR
- Pipe sizes from 1/4" through 1 1/2" NPT
- British BSPT ports are available
- Full ported valves - C_v from 1.1 through 21.5
- Coils housings available in NEMA 1 (standard), NEMA 4 (waterproof), NEMA 7 (explosion-proof for hazardous locations), and combination NEMA 4 and 7
- Manual opening and throttling devices are available as options
- Valve position indicator option is available
- Class B coils are available for media temperatures of 0°F through 220° F
- Class H coils are available – recommended for media temperatures of -423° F through +500° F

Operational Pressures (No minimum pressure differential)

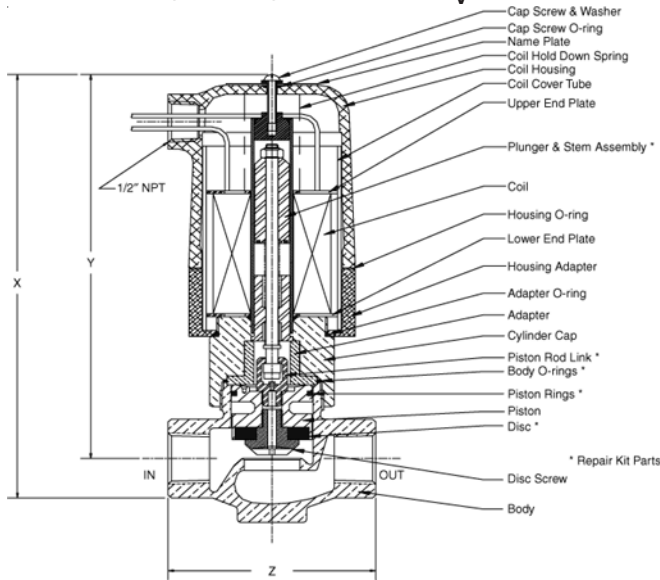
Gases		Liquids to 40 SUS		Liquids over 40 SUS		Steam	
A.C.	D.C.	A.C.	D.C.	A.C.	D.C.	A.C.	D.C.
300	300	300	300	300	300	125	125

Note: Normally open valves are rated for intermittent duty only on 15,000 Series valves and are not recommended for cryogenic service above 50 PSIG

2301 Wardlow Circle, P.O. Box 3300
Corona, California 92878
tel 909-270-6200
fax 909-270-6201
www.circle-seal.com
am_sales@circle-seal.com
ind_sales@circle-seal.com

15,400 Series

Dimensions (inches), Shipping Weights and C_v Flow Factors



15447 1" Normally Open Valve – (shown with a waterproof NEMA 4 coil housing and a soft pilot seat)

15,400 Series Normally Closed Bronze

Catalog Num. Prefix		Pipe Size	Main Seat Orifice Dia	X	V	Z	Shipping Weight (lbs)	CV
Class B Coil	Class H Coil							
15400	15408	1/4"	1/2"	7 5/16"	6 1/2"	2 11/16"	5	1.4
15410	15418	3/8"	1/2"	7 5/16"	6 1/2"	2 11/16"	5	2.7
15420	15428	1/2"	1/2"	7 7/16"	6 1/2"	3"	6	3.5
15430	15438	3/4"	1"	7 15/16"	6 5/8"	3 3/4"	7	7.5
15440	15448	1"	1"	7 15/16"	6 5/8"	3 3/4"	7	9.1
N/A	15458	1 1/4"	1 1/2"	9 13/16"	8"	5 1/16"	20	19.5
N/A	15468	1 1/2"	1 1/2"	9 13/16"	8"	5 1/16"	20	21.0

Note: 1-1/4" & 1-1/2" valves have aluminum pistons (for reduced weight) and are not suitable for steam, water and other media harmful to aluminum.

15,400 Series

Dimensions (inches), Shipping Weights and C_v Flow Factors

15448 1" Normally Closed Valve – (shown with a explosion-proof NEMA 7 coil housing and a metal pilot seat)

15,400 Series Normally Open Bronze

Catalog Num. Prefix		Pipe Size	Main Seat Orifice Dia	X	V	Z	Shipping Weight (lbs)	CV
Class B Coil	Class H Coil							
15401	15407	1/4"	1/2"	9 3/32"	8 3/16"	2 11/16"	5	1.4
15411	15417	3/8"	1/2"	9 3/32"	8 3/16"	2 11/16"	5	2.7
15421	15427	1/2"	1/2"	9 3/16"	8 3/16"	3"	6	3.5
15431	15437	3/4"	1"	9 1/2"	8 1/4"	3 3/4"	7	7.5
15441	15447	1"	1"	9 1/2"	8 1/4"	3 3/4"	7	9.1

15,400 Series

How to Order

15 4 X X - X X X X X X X X X X X X

VALVE MATERIAL

4 Brass

CONNECTION SIZE

0 1/4" Pipe 1 3/8" Pipe
 2 1/2" Pipe 3 3/4" Pipe
 4 1" Pipe 5 1 1/4" Pipe
 6 1 1/2" Pipe

VALVE NORMAL POSITION

0 Normally Closed & Class B coil
 1 Normally Open & Class B coil
 7 Normally Closed & Class H coil
 8 Normally Open & Class H coil

VOLTAGE AC/60 Hz

0 AC/50Hz or DC Voltage
 1 24 VAC 2 100 VAC 3 115 VAC
 4 200 VAC 5 230 VAC 6 460 VAC

VOLTAGE AC/50 Hz

0 AC/60 Hz or DC Voltage
 1 24 VAC 2 110 VAC
 3 220 VAC 4 380 VAC

VOLTAGE DC

0 AC Voltage
 1 12 VDC 2 24 VDC 3 32 VDC
 4 72 VDC 5 125 VDC 6 250 VDC

COIL INSULATION RATING

B Class B (155° C)
 H Class H (180° C)

CONNECTION TYPE

P NPT J British Pipe Thread

OPTIONS

P Position Indicator
 M Manual Opening
 T Manual Throttling

COIL HOUSING

E Explosion-proof
 S Standard
 W Waterproof
 C Combined Water- & Explosion-proof

FLUID MEDIA TYPE

1 Gas
 2 Liquid up to 40 SUS
 3 Liquid from 41 SUS to 150 SUS
 4 Steam
 5 Cryogenic

SEAL MATERIAL

A Teflon® B Buna-N
 C Viton® D EPR

SEAT/PILOT MATERIAL

A TFE pilot & TFE disc
 B Buna pilot & Buna disc
 C Viton® pilot & Viton® disc
 D EPR pilot & EPR disc
 E Kel-F pilot & Kel-F disc
 F Metal pilot & Metal disc
 G Metal pilot & TFE disc
 H Metal pilot & Buna disc
 I Metal pilot & Viton® disc
 J Metal pilot & EPR disc
 L Metal pilot & Kel-F disc

MAX. OPERATING PRESSURE (psig)

A 100 E 250
 B 125 F 300
 C 150 M 50
 D 200

Viton® is a registered trademark of DuPont Dow Elastomers.
 Teflon® is a registered trademark of DuPont.